

## **DRAFT EAST AFRICAN STANDARD**

---

**Plugs, socket-outlets, adaptors and connection units — Part 1:  
Specification for rewirable and non-rewirable fused plugs**

**EAST AFRICAN COMMUNITY**

---



### Copyright notice

This EAC document is copyright-protected by EAC. While the reproduction of this document by participants in the EAC standards development process is permitted without prior permission from EAC, neither this document nor any extract from it may be reproduced, stored or transmitted in any form for any other purpose without prior written permission from EAC.

Requests for permission to reproduce this document for the purpose of selling it should be addressed as shown below or to EAC's member body in the country of the requester:

© East African Community 2024 — All rights reserved  
East African Community  
P.O. Box 1096,  
Arusha  
Tanzania  
Tel: + 255 27 2162100  
Fax: + 255 27 2162190  
E-mail: [eac@eachq.org](mailto:eac@eachq.org)  
Web: [www.eac-quality.net](http://www.eac-quality.net)

Reproduction for sales purposes may be subject to royalty payments or a licensing agreement. Violators may be prosecuted.

Draft for public review

# Contents

Page

Foreword .....	v
1 Scope .....	1
2 Normative references .....	2
3 Terms and definitions .....	3
4 General requirements and conditions of use .....	8
5 General conditions for type testing .....	9
5.1 All tests shall be type tests .....	9
6 Classification and rating .....	11
7 Marking and labelling .....	13
8 Clearances, creepage distances and solid insulation .....	14
8.1 Clearances .....	15
8.1.1 Clearances for basic insulation .....	15
8.1.2 Clearances for functional insulation .....	15
8.1.3 Clearances for supplementary insulation .....	15
8.1.4 Clearances for reinforced insulation .....	16
8.2 Creepage distances .....	16
8.2.1 Creepage distances for basic insulation .....	17
8.2.2 Creep age disturbances for functional insulation .....	17
8.2.3 Creep age distances for supplementary insulation .....	17
8.2.4 Creepage distances for reinforced insulation .....	17
8.2.2 Creep age disturbances for functional insulation .....	17
8.2.3 Creep age distances for supplementary insulation .....	18
8.2.4 Creepage distances for reinforced insulation .....	18
8.3 Solid insulation .....	18
8.3.1 the conformity shall be checked by tests in accordance with 15.1.3 using the values given in table 5. ....	18
8.4 Requirements for printed wiring boards and equivalent construction .....	18
9 Accessibility of live parts .....	19
10 Provision for earthing .....	22
11 Terminals and terminations .....	23
12 Construction of plugs .....	26
13 Resistance to ageing and to humidity .....	44
13.1 Resistance to ageing .....	44
13.2 Resistance to humidity .....	45
14 Insulation resistance and electric strength .....	46
15 Temperature rise .....	47
16 Breaking capacity of switches incorporated in fused plugs .....	51
17 Normal operation of switches .....	51
18 Connection of flexible cords and cord anchorage .....	52
19 Mechanical strength .....	55
20 Screws, current-carrying parts and connections .....	58
21 Resistance to heat .....	60

22	Resistance to abnormal heat, fire and tracking.....	63
22.1	General.....	63
22.2	Glow-wire test .....	63
22.3	Resistance to tracking .....	64
23	Resistance to excessive residual stresses and to rusting.....	65
24	Electrical and thermal stress on clamp type (screwless) terminals.....	66
25	Overload tests .....	66
26	Cyclic loading test .....	67
26.1	Requirement .....	67
26.2	Testing .....	67
	Annex A (normative) The construction and calibration of a calibrated link.....	69
A.1	Construction.....	69
A.2	Calibration .....	71
	Annex B (normative) Measurement of clearances and creepage distances .....	74
	Annex C (normative) Determination of the Comparative Tracking Index (CTI) and Proof Tracking Index (PTI).....	80
C.1	Construction.....	80
	Annex D (normative) Relation between rated impulse withstand voltage, rated voltage and Overvoltage Category .....	81
	Annex E (normative) Pollution degree.....	82
	Annex F (normative) Impulse voltage test .....	83
	Annex G (normative) Requirements for incorporated electronic components .....	85
	Bibliography .....	88

## Foreword

Development of the East African Standards has been necessitated by the need for harmonizing requirements governing quality of products and services in the East African Community. It is envisaged that through harmonized standardization, trade barriers that are encountered when goods and services are exchanged within the Community will be removed.

The Community has established an East African Standards Committee (EASC) mandated to develop and issue East African Standards (EAS). The Committee is composed of representatives of the National Standards Bodies in Partner States, together with the representatives from the public and private sector organizations in the community.

East African Standards are developed through Technical Committees that are representative of key stakeholders including government, academia, consumer groups, private sector and other interested parties. Draft East African Standards are circulated to stakeholders through the National Standards Bodies in the Partner States. The comments received are discussed and incorporated before finalization of standards, in accordance with the Principles and procedures for development of East African Standards.

East African Standards are subject to review, to keep pace with technological advances. Users of the East African Standards are therefore expected to ensure that they always have the latest versions of the standards they are implementing.

The committee responsible for this document is Technical Committee EASC/TC 054, *Electrical appliances, machines, and equipment*.

Attention is drawn to the possibility that some of the elements of this document may be subject of patent rights. EAC shall not be held responsible for identifying any or all such patent rights.

This second edition cancels and replaces the first edition (EAS 495-1), which has been technically revised.

DEAS 495 consists of the following parts, under the general title *Plugs, socket-outlets, adaptors and connection units*:

- *Part 1: Specification for rewirable and non-rewirable fused plugs*
- *Part 2: Specification for switched and unswitched socket outlets*
- *Part 3: Specification for adaptors*
- *Part 4: 13 A fused connection units: Switched and unswitched*



# Plugs, socket-outlets, adaptors and connection units — Part 1: Specification for rewirable and non-rewirable fused plugs

## 1 Scope

This part of this Draft East African Standard specifies requirements for fused plugs with a current rating of 13 A rating for rewirable and a maximum of 13 A for non-rewirable fused plugs having insulating sleeves on line and neutral pins, for household, commercial and light industrial purposes, with particular reference to safety in normal use. The plugs are suitable for the connection of portable appliances; sound-vision equipment, luminaries, etc in ac circuits only, operating at voltages not exceeding 250 V r.m.s. at 50 Hz. Additional requirements are included for plugs suitable for electric vehicle charging.

Requirements are specified for plugs incorporating a fuse link complying with EAS 496. The plugs may be rewirable or non-rewirable complete with flexible cord. Two categories of plugs are specified covering normal and rough use. Rewirable plugs are intended for use with flexible cords complying with IEC 60227 or IEC 60245 having conductor cross-sectional areas from 0.5 mm<sup>2</sup> to 1.5 mm<sup>2</sup> inclusive.

NOTE 1 See 19.1.

Non-rewirable plugs are intended for use with flexible cords having conductor cross-sectional areas not exceeding 1.5 mm<sup>2</sup>

NOTE 2 See 19.4.

This standard also applies to non-rewirable 13 A plugs which have the brass earth pin replaced with a similarly dimensioned protrusion made of insulating material designated as an insulated shutter opening device (ISOD) designed to operate the shutter mechanism of a socket-outlet conforming to EAS 495-2.

Plugs incorporating switches and indicator lamps are included within the scope of this part of EAS 495. Plugs incorporating electronic components detailed in Annex G are included within the scope of this part of EAS 495.

NOTE 3 The titles of the publications referred to in this part of EAS 495 are listed on the inside back cover.

NOTE 4 In order to maintain safety and interchangeability with plugs and socket-outlets it is necessary that these products

comply with the requirements of Clause 9.12 and Clause 13 of this part of EAS 495, however their body outline need not be limited at a distance of 6.35 mm from the plug engagement face.

A plug is mechanical by nature of construction. The product is therefore immune from electromagnetic interference. Plugs incorporating switches and indicator lamps are included within the scope of this part of EAS 495.

Plugs incorporating electronic components detailed in Annex G are included within the scope of this part of EAS 495.”

This Draft standard applies to all plugs in East African Region



## 2 Normative references

The following documents are referred to in the text in such a way that some or all of their content constitutes requirements of this document. For dated references, only the edition cited applies. For undated references, the latest edition of the referenced document (including any amendments) applies.

*EAS 496, General purpose fuse links for domestic and similar purposes (primarily for use in plugs) – Specification*

*IEC 60112, Method for the determination of the proof and the comparative tracking indices of solid insulating materials*

*ISO 9453, Soft solder alloys – Chemical compositions and forms*

*EAS 495-2, 13A plugs, socket-outlets, adaptors and connection units — Part 2: Specification for 13A switched and unswitched socket-outlets*

*EAS 495-3, 13 A plugs, socket-outlets, adaptors and connection units — Part 3: Specification for adaptors*

*EAS 495-4, 13A plugs, socket-outlets, adaptors and connection units — Part 4: Specification for 13A fused connection units: Switched and unswitched*

*IEC 60893-1, Insulating materials – Industrial rigid laminated sheets based on thermosetting resins for electrical purposes – Part 1: Definitions, designations and general requirements*

*IEC 60893-3-4, Insulating materials – Industrial rigid laminated sheets based on thermosetting resins*

*for electrical purposes – Part 3-4: Specifications for individual materials – Requirements for rigid laminated sheets based on phenolic resins*

*BS EN 1654, Copper and copper alloys – Strip for springs and connectors*

*IEC 60999-1, Connecting devices – Electrical copper conductors – Safety requirements for screw-type and screwless-type clamping units – Part 1: General requirements and particular requirements for clamping units for conductors from 0.2 mm<sup>2</sup> up to 35 mm<sup>2</sup> (included)*

*EAS 203, Boxes for enclosure of electrical accessories — Specification*

*ISO 7724, Paints and varnishes – Colorimetry*

*ISO 8458-2, Steel wire for mechanical springs – Part 2: Patented cold-drawn non-alloy steel wire*

*IEC 60112:1980, Method of test for determining the comparative and the proof tracking indices of solid insulating materials under moist conditions*

*IEC 60227-1, Polyvinyl chloride insulated cables of rated voltages up to and including 450/750 V – Part 1: General requirements*

*IEC 60227-2, Polyvinyl chloride insulated cables of rated voltages up to and including 450/750 V – Part 2: Test methods*

*IEC 60227-3, Polyvinyl chloride insulated cables of rated voltages up to and including 450/750 V – Part 3: Non-sheathed cables for fixed wiring*

*IEC 60227-4, Polyvinyl chloride insulated cables of rated voltages up to and including 450/750 V – Part 4: Sheathed cables for fixed wiring*

IEC 60227-5, Polyvinyl chloride insulated cables of rated voltages up to and including 450/750 V – Part 5: Flexible cables (cords)

IEC 60227-6, Polyvinyl chloride insulated cables of rated voltages up to and including 450/750 V – Part 6: Lift cables and cables for flexible connections

IEC 60227-7, Polyvinyl chloride insulated cables of rated voltages up to and including 450/750 V – Part 7: Flexible cables screened and unscreened with two or more conductors

IEC 60417, Graphical symbols for use on equipment

IEC 60695-1-1, Fire hazard testing – Part 1-1: Guidance for assessing the fire hazard of electrotechnical products – General guidelines

IEC 60695-4, Fire hazard testing – Part 4: Terminology concerning fire tests for electrotechnical products

IEC 60695-2-10, Fire Hazard testing – Part 2-10: Glowing/hot-wire based test methods – Glow-wire apparatus and common test procedure

EAS 370, Test probes to verify protection by enclosure

BS 1363: 2022, 13 A plugs, socket-outlets, adaptors and connection units - Rewirable and non-rewirable 13 A fused plugs. Specification

IEC 60695-2-11, Fire hazard testing - Part 2-11: Glowing/hot-wire based test methods - Glow-wire flammability test method for end products (GWEPT)

IEC 60884-1:2022, Plugs and socket-outlets for household and similar purposes - Part 1: General requirements

### 3 Terms and definitions

For the purposes of this document, the following terms and definitions apply.

ISO and IEC maintain terminological databases for use in standardization at the following addresses:

- IEC Electropedia: available at <http://www.electropedia.org/>
- ISO Online browsing platform: available at <http://www.iso.org/obp>

#### 3.1

##### **plug**

a portable fused device having projecting pins designed to engage with the contacts of a corresponding socket-outlet. A plug also incorporates means for the electrical connection and the mechanical retention of a suitable flexible cord

#### 3.2

##### **rough-use plug**

a plug designed to withstand severe mechanical handling

NOTE Rough-use plugs are identified by additional marking in accordance with 7.1c). They are not intended for gross misuse.

For instance, a plug should not be withdrawn from a socket-outlet by pulling on the attached flexible cord.

### 3.3

#### **rewirable plug**

a plug so constructed that a flexible cord can be fitted or replaced using general purpose tools.

### 3.4

#### **non-rewirable plug**

a plug so constructed that it forms a complete unit with the flexible cord after connection and assembly by the manufacturer of the plug

NOTE See also 12.6

### 3.5

#### **moulded-on plug**

a non-rewirable plug, the manufacture of which is completed by insulating material moulded around pre-assembled component parts and the terminations of the flexible cord

### 3.6

#### **fused plug**

a plug having provision for a replaceable cartridge fuse link.

### 3.7

#### **terminal**

a means by which the user can make an electrical connection between the appropriate flexible cord and the conducting parts of the plug without the use of special purpose tools

### 3.8

#### **screw-type terminal**

a terminal in which the connection is made directly by means of screws or nuts of any kind or indirectly through an intermediate metal part such as a washer, clamping plate or anti-spread device on which the screw bears directly

NOTE The following are examples of screw-type terminals.

- a) A pillar terminal is a terminal in which the conductor is inserted into a hole or cavity, where it is clamped under the shank of the screw or screws.
- b) A screw terminal is a terminal in which the conductor is clamped under the head of the screw.
- c) A stud terminal is a terminal in which the conductor is clamped under a nut.

### 3.9

#### **clamp type (screwless) terminal**

a terminal in which the connection is made by clamping the conductor of a flexible cord between two metallic surfaces without the use of a screw

### 3.10

#### **termination**

a means by which an electrical connection can be made between the appropriate flexible cord and the conducting part of the plug using special purpose tools, e.g. soldering, welding, crimping

### 3.11

#### **fuse carrier**

a movable or removable part designed to carry, retain, cover and/or remove the fuse link

### 3.12

#### **type test**

a test or series of tests made on a type test sample, for the purpose of checking compliance of the design of a given product with the requirements of the relevant standard

### 3.13

#### **type test sample**

a sample consisting of one or more similar units or specimens submitted by the manufacturer or responsible vendor for the purpose of a type test

### 3.14

#### **accessible external surfaces of a plug**

all surfaces which can be touched by test probe B of EAS 370 when the plug is in full engagement with a corresponding socket-outlet

### 3.15

#### **engagement surface of a plug**

that surface which cannot be touched by test probe B of EAS 370 when the plug is in full engagement with a corresponding socket-outlet

### 3.16

#### **live parts**

current-carrying parts and those metal parts in contact with them during normal use

NOTE Metal parts of the earthing circuit are not considered to be current-carrying parts.

### 3.17

#### **fine wire thermocouple**

a thermocouple having wires not exceeding 0.3 mm in diameter

### 3.18

#### **calibrated link**

a calibrated heat source for use in place of a fuse link during temperature rise tests

### 3.19

#### **indicator lamp (pilot lamp)**

a lamp which illuminates to indicate that the plug is energized

### 3.20

#### **resilient material**

a material having the inherent capability of regaining or substantially regaining its original form when deforming loads are removed

### 3.21

#### **creepage distance**

shortest distance along the surface of the insulating material between two conductive parts

### 3.22

#### **clearance**

shortest distance in air between two conductive parts

### 3.23

#### **Insulated Shutter Opening Device (ISOD)**

protrusion from the engagement surface of the plug, in place of a brass earth pin, made of insulating material having dimensions similar to those of a brass earth pin

### 3.24

#### **basic insulation**

insulation applied to live parts to provide basic protection against electric shock

NOTE Basic insulation does not necessarily include insulation used, exclusively for functional purposes.

### 3.25

#### **supplementary insulation**

independent insulation applied in addition to basic insulation, in order to provide protection against electric shock in the event of failure of basic insulation

### 3.26

#### **reinforced insulation**

single insulation system applied to live parts, which provides a degree of protection against electric shock equivalent to double insulation under the conditions specified in the relevant standard

### 3.27

#### **functional insulation**

insulation between conductive parts which is necessary only for the proper functioning of the equipment

### 3.28

#### **class II**

application in which protection against electric shock, does not rely on basic insulation only, but in which additional safety precautions such as double insulation or reinforced insulation are provided, there being no provision for protective earthing or reliance upon installation conditions

NOTE 1 Such an application may be one of the following.

a) An application having a double and substantially continuous enclosure of insulation material which envelopes all metal parts with the exception of small parts such as name plates, screw and rivets which are isolated from live parts by insulation at least equivalent to reinforced insulation. Such an application is called insulation encased class II.

b) An appliance having a substantially continuous enclosure of metal, in which double insulation is used throughout, except for those parts which reinforced insulation is used because the application of double insulation is manifestly impracticable. Such an application is called metal encased class II.

c) An appliance which is a combination of types a) and b) above.

NOTE 2 The enclosure of an insulation encased class II appliance may form a part or whole of the supplementary insulation, or reinforced insulation.

NOTE 3 If an appliance with double insulation and/or reinforced insulation throughout has an earthing terminal or an earthing contact, it is of class I construction.

NOTE 4 Class II appliances may have parts in which protection against electric shock relies on operation at safety extra-low voltage (SELV).

### 3.29

#### **actuating member**

that part which is moved, e.g. pulled, pushed or turned by the user, to operate the switch mechanism of a switched plug.

### 3.30

#### **class I**

method of protection against electric shock which does not rely on basic insulation only, but which includes means for the connection of exposed conductive parts to a protective conductor in the fixed wiring of the installation.

### 3.31

#### **insignificant mass**

insufficient combustible mass to constitute a fire hazard

NOTE: Parts of insignificant mass are usually less than 2 g.

### 3.32

#### rated voltage

voltage assigned by the manufacturer for a specified operating condition

### 3.33

#### reinforced insulation

single insulation system applied to live parts, which provides a degree of protection against electric shock equivalent to double insulation under the conditions specified in the relevant standard

### 3.34

#### small parts

parts where each surface lies completely within a circle of 15 mm diameter or where some of the surface lies outside the 15 mm diameter circle but in such a way that it is not possible to place a circle of 8 mm diameter on any of this remaining surface.

### 3.35

#### switched plug

plug with associated switch or switches to disconnect the supply to the line terminal/termination or to both line and neutral terminals/terminations

## 4 General requirements and conditions of use

4.1 Plugs shall be so designed and constructed that in normal use their performance is reliable and minimizes the risk of danger to the user or to the surroundings. Such plugs shall be capable of meeting all the relevant requirements and tests specified in this part of EAS 495.

4.2 Plugs shall be suitable for use under the following conditions:

a) an ambient temperature in the range  $-5\text{ }^{\circ}\text{C}$  to  $+45\text{ }^{\circ}\text{C}$ , the average value over 24 h not exceeding  $30\text{ }^{\circ}\text{C}$ ;

NOTE Under normal conditions of use the available cooling air is subject to natural atmospheric variations of temperature and hence the peak temperature occurs only occasionally during the hot season, and on those days when it does occur it does not persist for lengthy periods.

b) a situation not subject to exposure to direct radiation from the sun or other source of heat likely to raise temperatures above the limits specified in a);

d) an atmosphere not subject to abnormal pollution by smoke, chemical fumes, rain, spray, prolonged periods of high humidity or other abnormal conditions. This is equivalent to pollution degree 2, see Annex E, and over voltage category III, see Annex D.

## 5 General conditions for type testing

### 5.1 All tests shall be type tests

Unless otherwise specified in this part of EAS 495, the plugs shall be tested as delivered by the manufacturer or responsible vendor and under normal conditions of use, at an ambient temperature of between 15 °C to 35° C. It is recommended that the tests are carried out at an ambient temperature of (20 ± 5) °C.

The plugs used for the tests shall be representative of normal production items in respect of all details which may affect the test results.

Incorporated electronic components shall conform to their relevant standards and their incorporation shall not introduce a non-conformity with EAS 495-1 (see Annex G). Conformity shall be checked by inspection of component conformity evidence and the tests of EAS 495-1.

Non-rewirable plugs shall be supplied with an appropriate flexible cord which shall be at least 1 m long. Plugs shall be deemed to comply if no specimen fails in the complete series of tests given in Table 1.

**Table 1 — Schedule of test**

Sequence no.	Samples	Test	Clause number
1	3	Inspection, measurement, gauging and manipulation	5, 6, 7, 11.1, 9.1, 9.2, 9.4, 12.1, 12.2, 12.3, 12.4, 12.5, 1.2.9, (12.9.1, 12.9.2, 12.9.3 and 12.9.6 only), 12.13, 12.14, 12.15, 12.16, 19.2, 19.3, 19.4, 19.6, 21.8
2	3	General	5, 9.3, 19.1, 12.12, 12.17.2, 12.17.3, 12.17.2
3	3		5, 14.2, 12.8, 19.5, 12.17.4
4	3		5, 14.1, 15.1, 16, 20, 12.7, 10.1, 11.12, 12.10, 12.6, 12.11, 21.3
5	3*		5, 12, 9.4
6	3		5, 14.1, 21.1
		Additional tests for rewirable plugs with clamp type (screwless) terminals	5, 11.10, 11.11
8a)	27	Additional tests for plugs with non-solid pins and ISODs	5, 12.9.5
8b)	9	Additional tests for plugs fitted with ISOD	5, 12.9.4.3
9	3	Material	5, 22
10	3		5, 23.2
11	3		5, 24, 21.3
12 <sup>A)</sup>	3		Positive break (switched plugs)
13	3	Overloads	5, 15.1, 26
14	3	Cyclic loading [plugs for Electric Vehicles (EV)]	5, 27
NOTE 1 The order of tests given in sequence no. 1 is preferred but not mandatory except where required within the text of the appropriate clause.			
NOTE 2 *denotes that an additional three samples will be required for plugs with non-solid pins.			
NOTE 3 ** denotes that additional samples might be required for plugs incorporating electronic components.			
NOTE 4 the number of sampled items should have the same specifications			
<sup>A)</sup> An additional new set of three samples prepared with the contacts closed might be required.			

If one specimen fails in a complete series of tests given in Table 1, then plugs of that type shall be deemed to have failed to comply with this part of EAS 495, unless the plug is shown to be not representative of normal



production or design, in which case a further type test sample shall be submitted to the test or tests in that particular group. If there is no failure in this re-test then plugs of that type shall be deemed to comply with this part of EAS 495.

If more than one specimen fails in the complete series of tests given in Table 1 then plugs of that type shall be deemed not to comply with this part of EAS 495.

NOTE 1 For type testing, all tests have been included in the test schedule and should be performed in the specified order. References to carrying out specific tests in various clauses are not intended to indicate a sequence of testing different to that in the schedule and should not be conducted as separate additional tests.

5.2 All inspections and tests, of any one classification (see Clause 6), shall be carried out as specified in the clauses listed in Table 1 on the number of specimens in the sample column and in the order given.

5.3 Gauges in accordance with Figure 5 shall be considered to comply with the dimensional requirements if the results of the measured values are within the specified dimensions and the uncertainty of measurement at not less than 95 % confidence level does not exceed  $\pm 0.005$  mm.

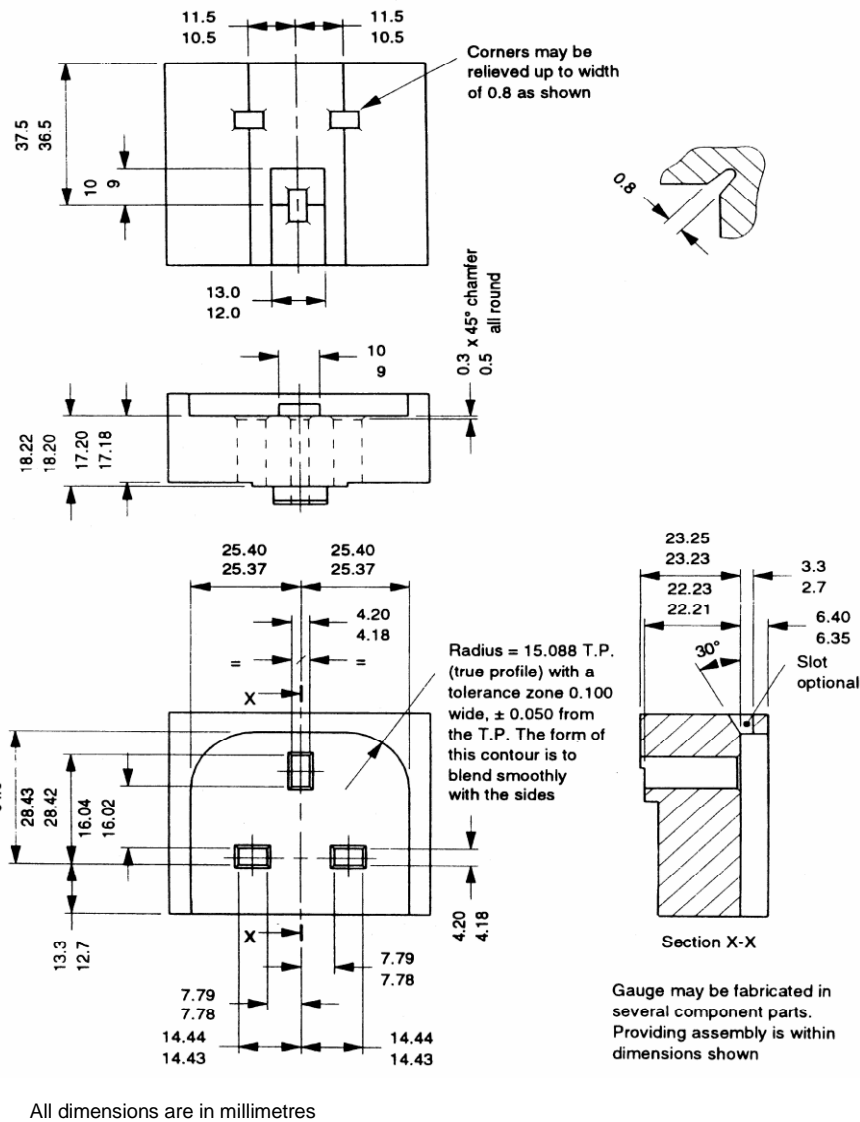


Figure 5 — Gauge for plug pins (see Clause 12, Clause 20 and Clause 22)

## **6 Classification and rating**

### **6.1 Classification**

Plugs shall be classified as follows:

- a) rewirable or non-rewirable;
- b) Switched or unswitched
- c) for normal use or rough use;
- d) for electric Vehicle (EV) charging
- e) fitted with screw or clamp type (screwless) terminals;
- f) for non-rewirable plugs for class II applications only, fitted with brass earth pin or ISOD

### **6.2 Rating**

The rated voltage of plugs which do not incorporate any electronic components other than indicator lights shall be 250V.

The rated voltage of plugs which incorporate electronic components shall be 230V, 240 V,

The rated current of rewirable plugs shall be 13A.

The rated current of non-rewirable plugs shall be according to table 2.

**Table 2** — Rated current and maximum fuse rating in normal use, and load for flexing and cable grip tests related to size of flexible cable

Flex cable nominal cross-sectional area  mm <sup>2</sup>	Rated current <sup>A)</sup>  A	Test current ±0.4 A  A	Fuse rating  A	Load for flexing test  +2%, -0%  Kg	Cable grip tests	
					Load  +2%, -0%  kg	Torque <sup>B)</sup>  Nm
0.5	3	3.5	3 (5) <sup>D)</sup>	1	3	0.15
0.75	6	7	7 (13) <sup>D)</sup>	1	3	0.20
1 (0.75) <sup>C)</sup>	10	11	10 (13) <sup>D)</sup>	2	3	0.25
1.25 (1) <sup>C)</sup>	13	14	13	2	6	0.30
1.5	13	14	13	2	6	0.35

<sup>A)</sup> Non-rewirable plugs may have a rated current appropriate to a smaller cable size than that fitted (e.g. a plug rated at 3 A may be fitted with a 0.75 mm<sup>2</sup> cable). In such cases, load and torque parameters for testing shall relate to the size of cable fitted and the test current shall relate to the rated current of the plug.

<sup>B)</sup> The recording of a measured value of torque in accordance with this table is considered to conform to this part of BS 1363 on condition that the uncertainty of measurement at not less than 95% confidence level does not exceed ±10%.

<sup>C)</sup> The figure in brackets indicates the flexible cable size which may be used for cable sets where non-rewirable plugs are used with a maximum flexible cable length of 2 m.

<sup>D)</sup> The figure in brackets indicates the maximum fuse rating when a plug is used with an appliance where the manufacturer specifies a higher rating of fuse is appropriate for the particular appliance.

## 7 Marking and labelling

7.1 Plugs shall be legibly and durably marked with the following information, which shall not be placed on screws, removable washers or other easily removable parts, or upon parts intended for separate sale:

- a) either the name, trade mark or identification mark of the manufacturer or responsible vendor, which may be duplicated on a removable fuse carrier;
- b) the number of this East African Standard (EAS 495-1);
- c) for rough-use plugs the number of this East African Standard shall be followed by "/A";
- d) on rewirable plugs the terminals intended for the connection of the various conductors shall be identified by the symbols given in 7.5;
- e) the words "FUSE" or "FUSED" or the symbol (as given in 7.5) on the external accessible surface of a plug;
- f) all rewirable plugs shall be marked on the engagement surface with the rated current. All non-rewirable plugs shall be marked with the rated current of the fuse link fitted, which shall not exceed the value given in Table 2 for the appropriate size of flexible cord;
- g) plugs with clamp type (screwless) terminals shall be marked to show the length of conductor insulation to be removed before fitting the conductor in the terminal.
- h) for plugs for electric vehicle charging, the number of this EAS standard shall be followed by "/EV"

7.1.1 Compliance shall be checked by inspection and by rubbing the marking for approximately 15 s with a cloth soaked in water, and again for approximately 15 s with a cloth soaked in an aliphatic solvent. hexane with a content of aromatics of maximum 0.1 % by volume, a Kauri-butanol value of 29, an initial boiling point of approximately 69 °C, and relative density of approximately 0.68. The marking shall remain legible. Markings produced by an engraving or moulding process shall be deemed to comply without test.

7.2 Rewirable plugs shall have a removable tag or label indicating the rating of the fuse link fitted, e.g. "Fitted with "13A" ampere fuse"

7.2.1 Compliance shall be checked by inspection.

7.3 Except where a plug fitted with a flexible cord is supplied direct to a manufacturer for incorporation in other equipment, the free end of such an assembly shall have a label attached which shall include the following:

- a) the statement: "The flexible cord of this plug must be connected to a piece of equipment before being plugged into a socket-outlet.";
- b) the maximum rating, in amperes, of the equipment to which it may be fitted (as given in Table 2);
- c) the colour code of the cores of the flexible cord as follows:

"IMPORTANT. Wires in the mains lead are coloured in accordance with the following code:

Green/yellow Earth (if any)

Blue Neutral

Brown Live";

- d) if the plug is fitted with a 2-core flexible cord, the following statement:




"This lead must not be used with equipment requiring the protection of an earth continuity conductor."

**7.3.1 Compliance shall be checked by inspection**

7.4 Rewirable plugs shall be provided with adequate instructions for the safe connection of the appropriate flexible cords, including clear instructions for the removal of insulation from the conductors. Plugs incorporating clamp type (screwless) terminals shall be supplied with information indicating that the plug is fitted with clamp type (screwless) terminals and containing clear instructions for the removal of insulation from the conductors and for the effective connection and disconnection of conductors.

7.4.1 Compliance shall be checked by inspection.

7.5 Symbols shall be as follows:

Parameters	Symbols
volts	V
alternating current	~
line	L
neutral	N
Direct current (d.c)	— — — —
earth	 (preferred) or 
<i>NOTE The letter "E" may be used in addition to either of these symbols.</i>	
fuse	
For screwless terminals suitable for rigid conductors only	r
For screwless terminals suitable for flexible conductors only	f
Degree of protection, where relevant	IPXX

**8 Clearances, creepage distances and solid insulation**

Plugs shall be constructed so that the clearances, creepage distances and solid insulation are adequate to withstand the electrical stresses taking into account the environmental influences that may occur. Clearances, creepage distances and solid insulation shall conform to the relevant subclauses 8.1, 8.2 and 8.3.

The distance between lead wires in the pinch of a neon lamp with external resistor shall be a minimum of 1 mm. Plugs conforming to the requirements for basic insulation shall be deemed to meet the requirements of this clause. If the manufacturer declares an insulation level exceeding basic insulation then the plug shall be tested accordingly.

NOTE 1 The requirements and tests are based on IEC 60664-1.

NOTE 2 Product insulation consists of basic insulation and protective earthing as required by BS EN 61140 for Class I equipment. Mechanical strength equivalent to that which would be provided by reinforced insulation as listed in BS EN 61140 is achieved in EAS 495 products through specific mechanical and material tests."

NOTE The requirements and tests are based on IEC 60664-1.

## 8.1 Clearances

Plugs energized directly from the low-voltage supply fall into Overvoltage Category III.

The clearances shall withstand the rated impulse voltage declared by the manufacturer considering the rated voltage and the Overvoltage Category as given in Annex D and the pollution degree declared by the manufacturer in accordance with Annex E.

For the measurements:

— all parts which may be removed without the use of a tool are removed and moveable parts which can be assembled in different orientations are placed in the most unfavourable position.

NOTE moveable parts are, for example hexagonal nuts, the position of which cannot be controlled throughout an assembly.

Clearances distances are measured in accordance with Annex B.

### 8.1.1 Clearances for basic insulation

The clearances for basic insulation shall not be less than the values given in Table 3 except as described below.

Conformity shall be checked by inspection, and if necessary by measurement, or by the test of Annex E.”  
Smaller clearances (except those values marked in Table 8 with Note b) may be used if the accessory meets the impulse withstand voltage test of Annex F at the impulse voltage specified in Annex D but only if the parts are rigid or located by mouldings or if the construction is such that it is unlikely that distances will be reduced 'by distortion or by movement of the parts during mounting, connection and normal use.

Compliance shall be checked by inspection, and if necessary by measurement, or by the test of Annex F.

### 8.1.2 Clearances for functional insulation

The clearances for functional insulation shall not be less than the values specified for basic insulation in 8.1.1.

Compliance shall be checked by inspection, and if necessary by measurement, or by the test of Annex F.

### 8.1.3 Clearances for supplementary insulation

The clearances for supplementary insulation shall not be less than the values specified for basic insulation in 8.1.1.

Compliance shall be checked by inspection, and if necessary by measurement, or by the test of Annex F

**Table 3 — Minimum clearances for basic insulation**

<b>Rated impulse withstand voltage</b>	<b>Minimum clearances</b>
<b>(KV)<sup>a</sup></b>	<b>mm</b>
0.33	0.2 <sup>b</sup>
0.50	0.2 <sup>b</sup>
0.80	0.2 <sup>b</sup>
1.5	0.5
2.5	1.5
4.0	3
6.0	5.5

<sup>a</sup> See Annex D. This voltage is:

- for functional insulation: the maximum impulse voltage expected to occur across the clearance;
- for basic insulation directly exposed to or significant, influenced by transient overvoltage from the low-voltage mains: the rated impulse withstand voltage of the accessory;
- for other basic insulation: the highest impulse voltage that can occur in the circuit.

<sup>b</sup> Minimum clearance values are based on IEC 60664-1.

#### 8.1.4 Clearances for reinforced insulation

The clearances for reinforced insulation shall be not less than the values specified for basic insulation in 8.1.1 but using the next higher step for rated impulse withstand voltage given in Table 8. Compliance shall be checked by inspection and measurement.

#### 8.1.5 Contact gap

The minimum contact gap shall be 1.2 mm in the open position, except for electronic switches covered by G.4. Conformity shall be checked by measurement.

### 8.2 Creepage distances

The creepage distances shall be dimensioned for the voltage, which is expected to occur in normal use taking into account the pollution degree, and the material group as declared by the manufacturer. For the measurements:

— all parts which may be removed without the use of a tool are removed and movable parts which can be assembled in different orientations are placed in the most unfavourable position.

NOTE 1 Moveable parts are, for example hexagonal nuts, the position of which cannot be controlled throughout an assembly.

NOTE 2 A creepage distance cannot be less than the associated clearance.

Creepage distances are measured in accordance with Annex B.

The relationship between material group and between comparative tracking index (CTI) values and proof tracking index (PTI) values is as follows:

Material group I	$600 \leq \text{CTI/PTI}$
Material group II	$400 \leq \text{CTI/PTI} < 600$
Material group IIIa	$175 \leq \text{CTI/PTI} < 400$
Material group IIIb	$100 \leq \text{CTI/PTI} < 175$

The CTI or PTI values are determined in accordance with Annex C.

NOTE 3 For glass, ceramics and other inorganic materials which do not track, creepage distances need not be greater than their associated clearance.

### 8.2.1 Creepage distances for basic insulation

The creepage distances for basic insulation shall not be less than the values given in Table 4. Compliance shall be checked by measurement.

**Table 4 — Minimum creepage distances for basic insulation**

Rated Voltage, V (r.m.s.) <sup>a</sup>	Pollution Degree 2 <sup>b</sup>			Pollution Degree 3 <sup>b</sup>		
	Material group			Material group		
—	1	11	1 la/11 b	1	11	111a
250	1.3	1.8	2.5 1	3.2	3.6	4.0

<sup>a</sup> This voltage is the voltage rationalized through Table 3a and Table 3b of IEC 60664-1 based on the rated voltage.  
<sup>b</sup> Details of pollution degrees are given in Annex E

### 8.2.2 Creep age disturbances for functional insulation

The creepage distances for functional insulation shall not be less than the values specified for basic insulation in 8.2.1. Compliance shall be checked by measurement.

### 8.2.3 Creep age distances for supplementary insulation

The creepage distances for supplementary insulation shall not be less than the values specified for basic insulation in 8.2.1.

Compliance shall be checked by measurement.

### 8.2.4 Creepage distances for reinforced insulation

The creepage distances for reinforced insulation shall not be less than those derived from twice the distance specified for basic insulation in Table 9.

Compliance shall be checked by measurement.

### 8.2.2 Creep age disturbances for functional insulation

The creepage distances for functional insulation shall not be less than the values specified for basic insulation in 8.2.1. Compliance shall be checked by measurement.



### 8.2.3 Creep age distances for supplementary insulation

The creepage distances for supplementary insulation shall not be less than the values specified for basic insulation in 8.2.1.

Compliance shall be checked by measurement.

### 8.2.4 Creepage distances for reinforced insulation

The creepage distances for reinforced insulation shall not be less than those derived from twice the distance specified for basic insulation in Table 9.

Compliance shall be checked by measurement.

## 8.3 Solid insulation

Solid insulation for basic, functional, supplementary and reinforced insulation shall be capable of withstanding electrical stresses which might occur in normal use.

No minimum thickness is specified for solid insulation.

8.3.1 the conformity shall be checked by tests in accordance with 15.1.3 using the values given in table 5.

Table 5 — Withstand voltages for insulation types

Insulation	Test voltage
	V (r.m.s)
Functional insulation	1 500
Basic insulation	1 500
Supplementary insulation	1 500
Reinforced insulation	3 000

## 8.4 Requirements for printed wiring boards and equivalent construction

Printed wiring boards and equivalent construction shall conform to IEC 60664-5.

Where coating, potting or moulding is used articles shall conform to IEC 60664-3.

## 9 Accessibility of live parts

**9.1** Live parts of plugs shall not be accessible when the plugs are wired as in normal use and in full engagement in a corresponding socket-outlet.

Live parts of plugs shall not be accessible when the plugs are wired as in normal use and in full engagement in a corresponding socket-outlet.

Removal of detachable fuse carriers shall not result in live parts becoming accessible when the plug is in full engagement with the socket-outlet or the socket-outlet portion of an adaptor.

Detachable fuse carriers shall be removed before this test is undertaken.

**9.1.1** Compliance shall be checked by the application of test probe 12 of EAS 370 applied with a force of  $5^{0.1}$  N with rewirable plugs fitted with a 2-core flexible cord as given in IEC 60227-5 (clause 2) and non-rewirable plugs as supplied.

**9.2** Plugs shall be designed and constructed so as to protect the user against accidental contact with live parts during insertion or withdrawal of plugs.

**9.2.1** Compliance shall be proved by satisfying the dimensional and gauging requirements of this Part of EAS 495.

**9.3** Resilient covers of plugs shall be so designed and constructed that when assembled and wired as in normal use, there is no risk that, as a result of undue pressure, live parts could penetrate the cover or become so disposed as to reduce creepage distances and clearances below those given in Clause 8.

**9.3.1** Compliance shall be checked by the following test (an example of a suitable apparatus is shown in Figure 2 a) and Figure 2b).

The design of the apparatus shall be such that a steady force of  $240^{0.10}$  N can be applied to those places where the possibility of a failure exists, the force being applied through a metal test pressure block as shown in Figure 2 a).

Each sample shall be subjected to the force at each chosen place in turn. During each application of force, a test voltage of  $2\ 000\text{ V} \pm 60\text{ V}$  50 Hz of substantially sinusoidal waveform is applied for  $60^{0.5}$  s between all live parts bonded together and the earthed test pressure block.

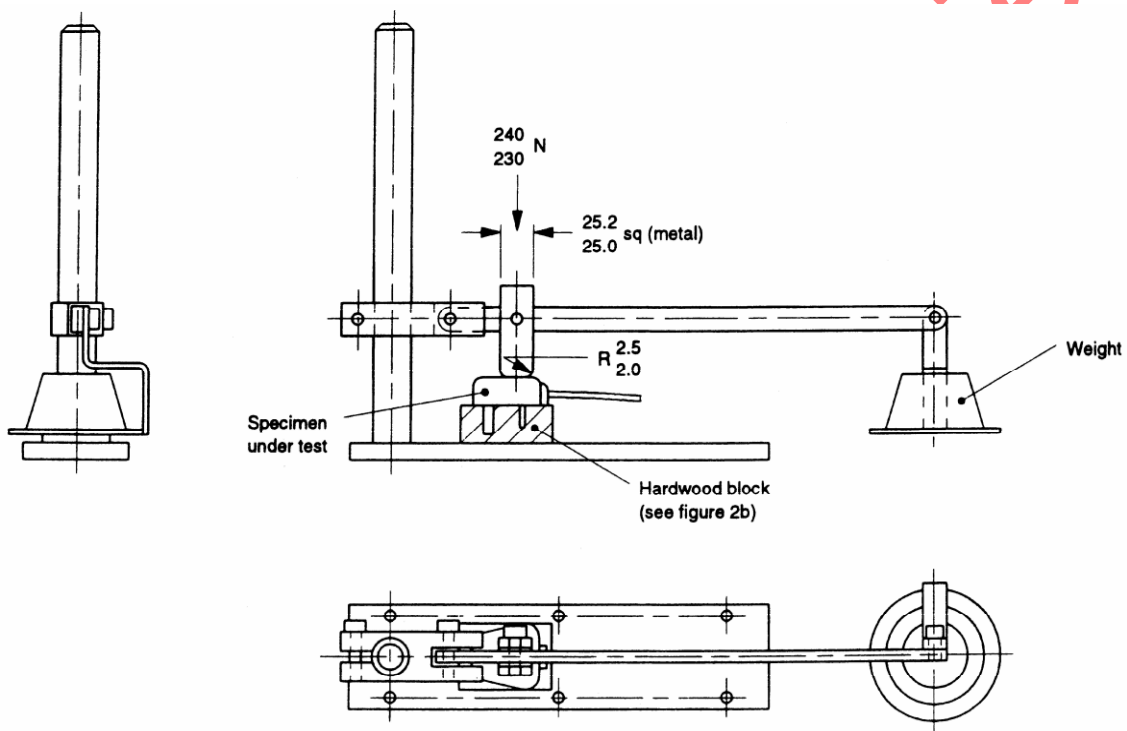
During the test no flashover or breakdown shall occur.

After the test it shall not be possible to touch live parts with test probe 11 of EAS 370 applied with a force of  $30^{0.2}$  N.

**9.4** Where a plug is supplied fitted with a flexible cord, the free end of such an assembly shall be encapsulated in insulating material.

NOTE This does not apply to assemblies supplied to equipment manufacturers for incorporation into their equipment.

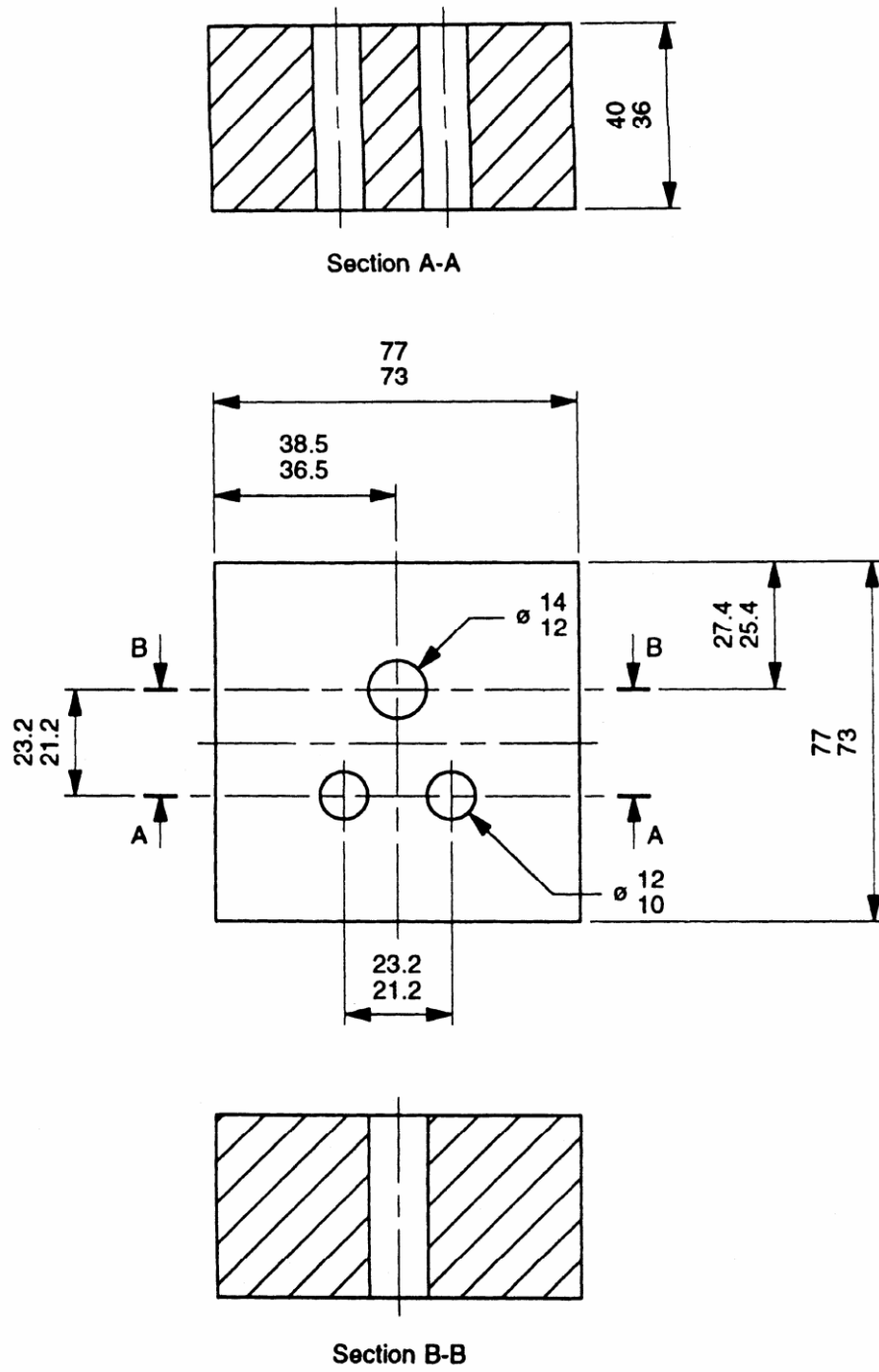
**9.4.1** Compliance shall be checked by inspection.



All dimensions are in millimetres

NOTE This drawing is not intended to govern design except as regards the dimensions and specific values shown.

**Figure 2a) — Apparatus for mechanical strength test on resilient covers (see Clause 9)**



All dimensions are in millimetres

Figure 2b) — Hardwood block for Figure 2a)

## 10 Provision for earthing

**10.1** All accessible metal parts of plugs shall be in effective electrical contact with the earthing plug pin, except that metal parts on, or screws in or through, non-conducting material, and separated by such material from current-carrying parts in such a way that in normal use they cannot become live, need not be in effective electrical contact with the earthing pin.

The earth pin shall be provided with a terminal or termination such as to provide a joint of low resistance with the earth conductor of a flexible cord. Metal parts having an accessible surface coating of lacquer or enamel are accessible metal parts within the meaning of this requirement.

**10.1.1** Compliance shall be checked by inspection and the following:

- a) for metal parts insulated from live parts, by the test described in 15.1.3;
- b) for metal parts connected to an earthing terminal or earthing plug pin, by the following test.

A current of  $25 \text{ A} \pm 0.75 \text{ A}$ , derived from an a.c. source having a no-load voltage not exceeding 12 V, is passed for  $60_{-0}^{+5}$  s between the remote end of the protective conductor of a 3-core flexible cord (cut to a length of 150 mm  $\pm$  5 mm measured from the nearest, edge of the earthing pin) and the remote end of the earthing plug pin and any accessible metal part intended to be earthed, taking account of the following:

- 1) for non-rewirable plugs, the manufacturer's connection is tested as supplied, with the flexible cord cut to a length of 150 mm  $\pm$  5 mm measured from the nearest edge of the earthing pin, precoiled flexible cords being extended before measurement.
- 2) for rewirable plugs. 1.25 mm<sup>2</sup> flexible cord complying with IEC 60227-5 (clause 6) shall be used:
  - i) for screw type terminals the clamping screw shall be tightened with a torque equal to two-thirds of the appropriate value given in Table 6;
  - ii) for clamp-type (screwless) terminals the connection shall be made in accordance with the manufacturer's instructions.

The resistance between the earthing terminal or termination and any other nominated metal part shall not exceed 0.05 $\Omega$ .

**Table 6 — Torque values for screws and nuts**

Declared diameter of screw thread Min	Torque		
	For metal screws (see Note 1) Nm	For other metal screws and nuts Nm	For screws of insulating material Nm
Up to and including 2.8	0.2	0.4	0.4
Over 2.8, up to and including 3	0.25	0.5	0.5
Over 3, up to and including 3.2	0.3	0.6	0.6
Over 3.2, up to and including 3.6	0.4	0.8	0.6
Over 3.6, up to and including 4.1	0.7	1.2	0.6
Over 4.1, up to and including 4.7	0.8	1.8	0.9
Over 4.7, up to and including 5.3	0.8	2.0	1.0
Over 5.3, up to and including 6	-	2.5	1.25

NOTE 1 This column applies to metal screws without heads if the screw when tightened does not protrude from the hole, and to other metal screws which cannot be tightened by means of a screwdriver with a blade wider than the diameter of the screw.

NOTE 2 The recording of a measured value given in this table is considered to comply with this part of EAS 495 on condition that the uncertainty of measurement at not less than 95 % confidence level does not exceed  $\pm 10\%$ .

## 11 Terminals and terminations

11.1 Terminals and terminations shall provide for effective clamping and securing of conductors connected to them, so that efficient electrical connection is made.

11.1.1 Compliance shall be checked in accordance with 11.2 to 11.9.

11.2 Rewirable plugs shall be provided with terminals as defined in 3.8 or 3.9.

11.2.1 Compliance shall be checked by inspection.

11.3 Non-rewirable plugs shall be provided with soldered, welded, crimped or similar terminations; for all these methods of termination, not more than one strand of a 0.5 mm<sup>2</sup> conductor or two strands of other sized conductors shall be fractured during connection.

Screwed and "snap-on" terminals shall not be used. Crimped connections shall not be made on to pre-soldered flexible cords unless the soldered area is entirely outside the crimp.

Terminal or termination shall not be provided on an ISOD.

11.3.1 Compliance shall be checked by inspection and measurement.

11.4 Terminals in rewirable plugs shall permit the connection, without special preparation, of flexible cords having nominal conductor cross-sectional areas of 0.5 mm<sup>2</sup> to 1.5 mm<sup>2</sup>.

11.4.1 Compliance shall be checked by inspection and fitting the appropriate conductors.

11.5 Where pillar terminals are used they shall have clamping screws of sufficient length to extend to the far side of the conductor hole. The end of the screw shall be slightly rounded so as to minimize damage to the conductors. The sizes of the conductor hole and the clamping screw shall be such that the clearance between each side of the major diameter of the clamping screw and the conductor hole does not exceed 0.4 mm.

**11.5.1** Compliance shall be checked by inspection and measurement.

**11.6** Terminal screws shall have a declared outside diameter of not less than 3 mm or be not smaller than 6 B.A.

Thread cutting and/or thread forming screws shall not be used.

**11.6.1** Compliance shall be checked by inspection and measurement.

**11.7** Insulating barriers in rewirable plugs shall be an integral part, so arranged that with the cord anchorage rendered inoperative and the earth or line conductors becoming detached from their respective terminals, there is negligible risk of the following:

- a) the earth conductor coming into contact with parts at line potential;
- b) the line conductor coming into contact with the line pin assembly.

**11.7.1** Compliance shall be checked by inspection and by the following test.

The plug is wired as in normal use with a 0.5 mm<sup>2</sup> 3-core flexible cord as given in IEC 60227-5 (clause 6) in accordance with the manufacturer's instructions. All terminal screws or nuts are tightened to the appropriate torque given in Table 6.

A continuity indicating circuit operating at not less than 40 V is connected between the conductors and the other parts nominated. All terminal screws are then loosened and the cord anchorage rendered inoperative and the cover of the plug refitted. For plugs fitted with clamp type (screwless) terminals the conductor clamp shall be rendered inoperative. The flexible cord is then withdrawn from the plug at a rate not exceeding 50 mm/min, the direction of the pull being varied, until the earth core is pulled free of the plug. The test is made six times in all. For each new test a fresh section of the cord is fitted and the flexible cord rotated through approximately 60° in the plane perpendicular to its major axis in a clockwise direction before fitting unless the design is such that this is not practicable.

There shall be no contact between parts at line potential and the earth conductor or between the line, conductor and line pin assembly, thus bypassing the fuse link.

**11.8** Rewirable plugs shall be designed so that they can be wired in a manner which prevents strain to the earth connection before the line and/or neutral connection when the cord anchorage is rendered inoperative.

**11.8.1** Compliance shall be checked by inspection and manipulation using a plug wired in accordance with the manufacturer's instructions.

**11.9** In rewirable plugs terminals shall be so located or shielded that should a strand of a flexible conductor escape when the conductors are fitted, there is negligible risk of accidental connection between live parts and accessible external surfaces, or of a stray strand bypassing the fuse link.

**11.9.1** Compliance shall be checked by inspection, and by the following test. Compliance shall be checked by inspection, and by the following test.

A length of insulation in accordance with the manufacturer's instructions is removed from the end of a flexible conductor having a nominal cross-sectional area of 1.5 mm<sup>2</sup>. One strand of the flexible conductor is left free and the other strands are fully inserted into and clamped in the terminal. The free strand is bent, without tearing the insulation back, in every possible direction, but without making sharp bends round barriers unless a bend is reproduced by the replacement of the cover.

The free strand of a conductor connected to a live terminal, shall not:

- a) touch any metal part so as to by-pass the fuse link;
- b) touch any metal part which is accessible or is connected to an accessible metal part;
- c) reduce creepage distance and clearance to accessible surfaces to less than 1.3 mm.

The free strand of a conductor connected to an earthing terminal shall not touch any live parts.

**11.10** Clamp type (screwless) terminals shall be so designed that they make electrical contact to the specified conductors, between metal surfaces with sufficient pressure, and without additional means to maintain the clamping pressure. They shall not cause undue damage to the conductors.

NOTE Conductors are considered to be unduly damaged if these glow deep or sharp indentations.

It shall be clear how the connection and disconnection of the conductors is intended to be effected. The intended disconnection of a conductor shall require an operation to unlatch the clamp manually prior to removing the conductor.

**11.10.1** Compliance shall be checked by the following:

- a) Inspection of three sample plugs.
- b) The following test is carried out on each terminal of the three sets of L, N and E terminals supplied in the test sample. For the purposes of this test, terminals are removed from the test sample or alternatively supplied separately.

Tests are carried out on each line, neutral and earth terminal separately with individual flexible conductors, first with conductors having the largest cross-sectional area, and then with conductors having the smallest cross-sectional area, as specified in 11.4.

Conductors are connected and disconnected five times, on each terminal, new conductors being used each time, except for the fifth time, when the conductors used for the fourth connection are reconnected at the same place.

For each insertion, the conductors are inserted so that adequate connection is obvious. After insertion, the conductor is subjected to a pull of  $30 \pm 0.2$  N. The pull is applied without jerks for  $60 \pm 0.5$  s, in a direction equivalent to that in which the conductor lies when the terminal is mounted in the plug.

During the application of the pull, the conductor shall not come out of the terminal. After these tests neither the terminals nor the clamping means shall have deteriorated in a manner impairing their further use and not more than one strand of a  $0.5 \text{ mm}^2$  conductor or two strands of other sized conductors shall be fractured.

**11.11** Clamp type (screwless) terminals shall be so constructed that incorrect fitting of the conductor is prevented.

**11.11.1** Compliance shall be checked by inspection.

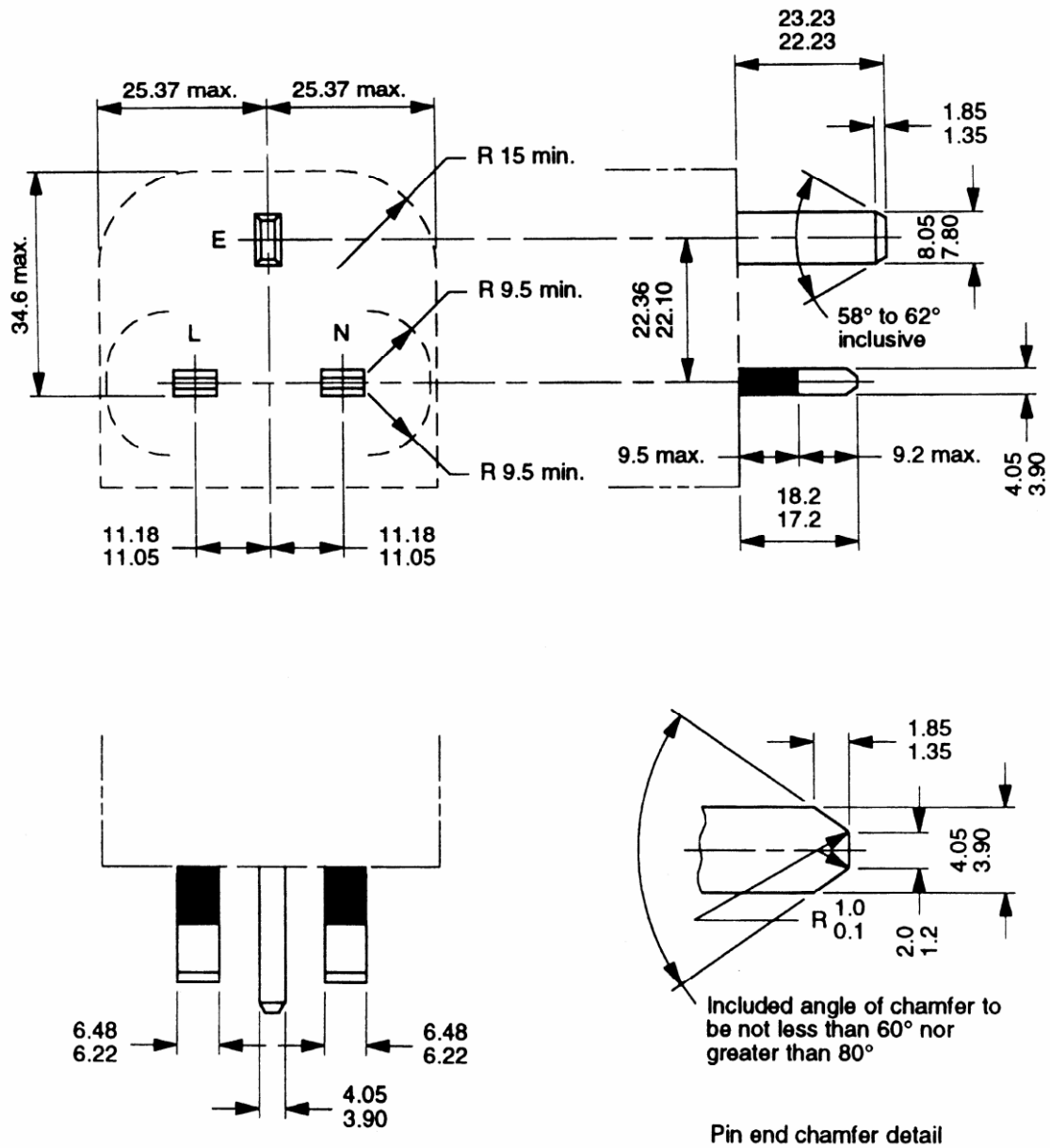
**11.12** Clamp type (screwless) terminals shall be adequately located in the plug when assembled for normal use.

**11.12.1** Compliance shall be checked by inspection, and by the mechanical strength test given in 20.1.3.



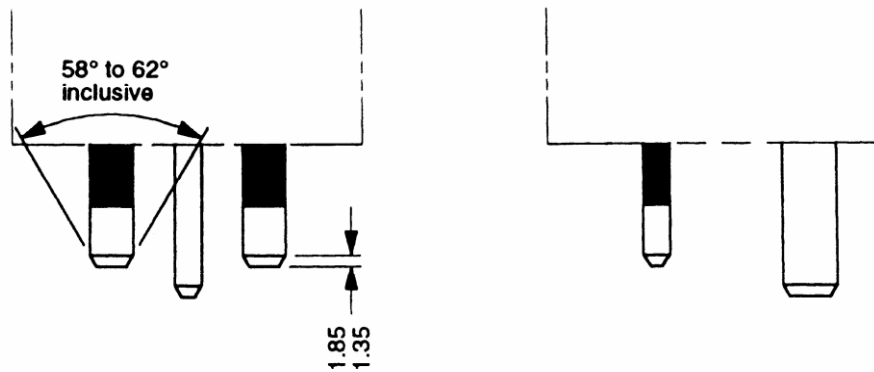
## 12 Construction of plugs

12.1 The disposition of the plug pins (including ISODs where applicable) shall be as shown in Figure 4a).

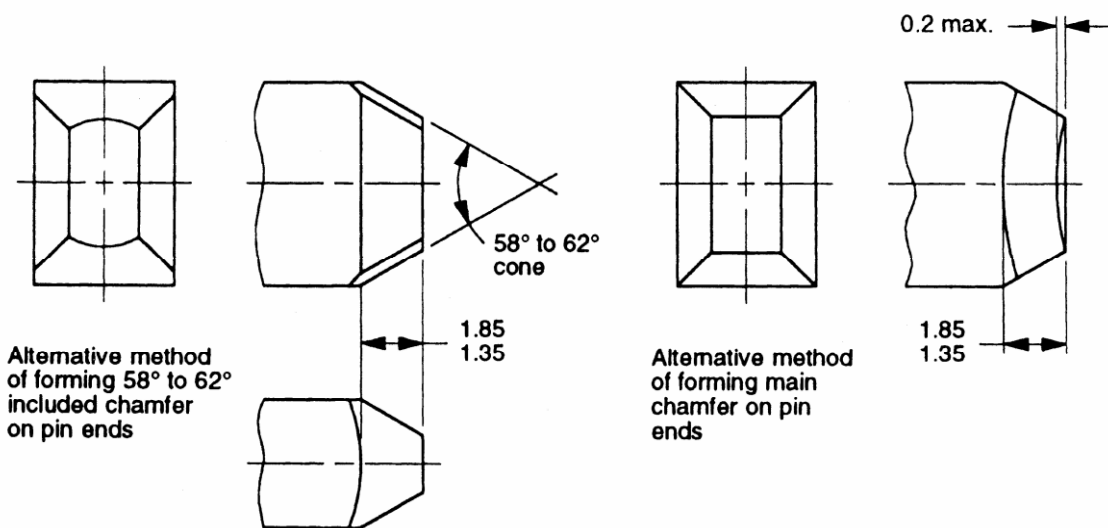


All dimensions are in millimetres

Figure 4a) — Dimensions and disposition of pins (see Clause 12)



Permitted additional chamfers on L and N pins  
(if additional chamfer is used it has to be on both pins)



All dimensions are in millimeters

NOTE 1 External edges of pins are to be free from burrs or sharp edges and may have a radius not exceeding 1 mm.

NOTE 2 The surfaces of pins are to be flat within the specified tolerances.

**Figure 4a) — Dimensions and disposition of pins (see Clause 12) (continued)**

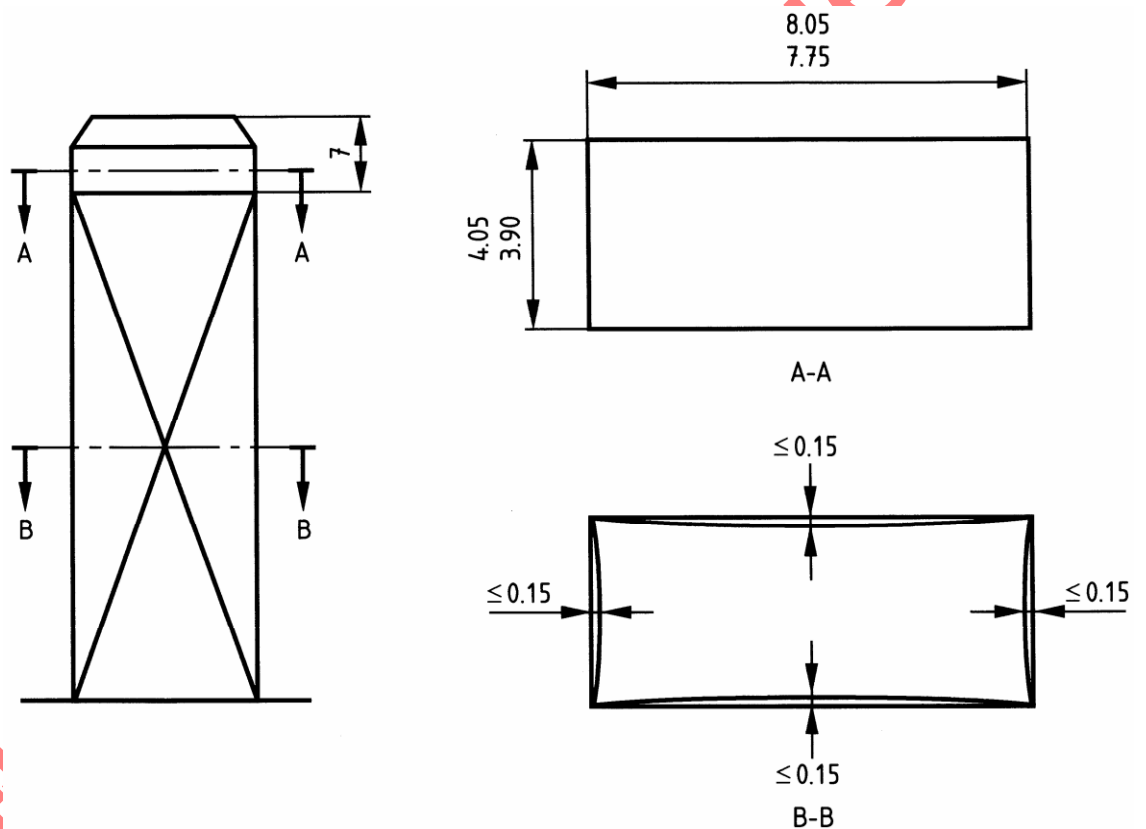
12.1.1 Compliance shall be checked by inspection.

12.2 The outline of the plug shall not exceed the dimensions shown in Figure 4a) for a distance of not less than 6.35 mm from the engagement surface and within these dimensions there shall be no axial projection from the engagement surface of the plug, except that at a distance more than 6.35 mm from the engagement surface the outline of the plug may exceed the dimensions shown in Figure 4a) in the plane of the earth pin and in the plane of the cord entry to facilitate the removal of the plug from the socket. Pin disposition, length and body outline shall be checked by use of the gauge shown in Figure 5 in accordance with the following test. Pin and sleeve dimensions shall be checked by measurement and shall comply with Figure 4a), except

for non-solid pins and ISOD where the chamfers shall generally fall within the profiles of Figure 4a) and their adequacy shall be checked by the tests of 12.9.5. ISODs shall be of generally rectangular cross-section. 'I' sections are not permitted although castellated cross-sections are permitted provided their dimensions comply with Figure 4b) and all the other requirements of the standard are met.

The maintenance of these dimensions shall not rely on the terminal screws.

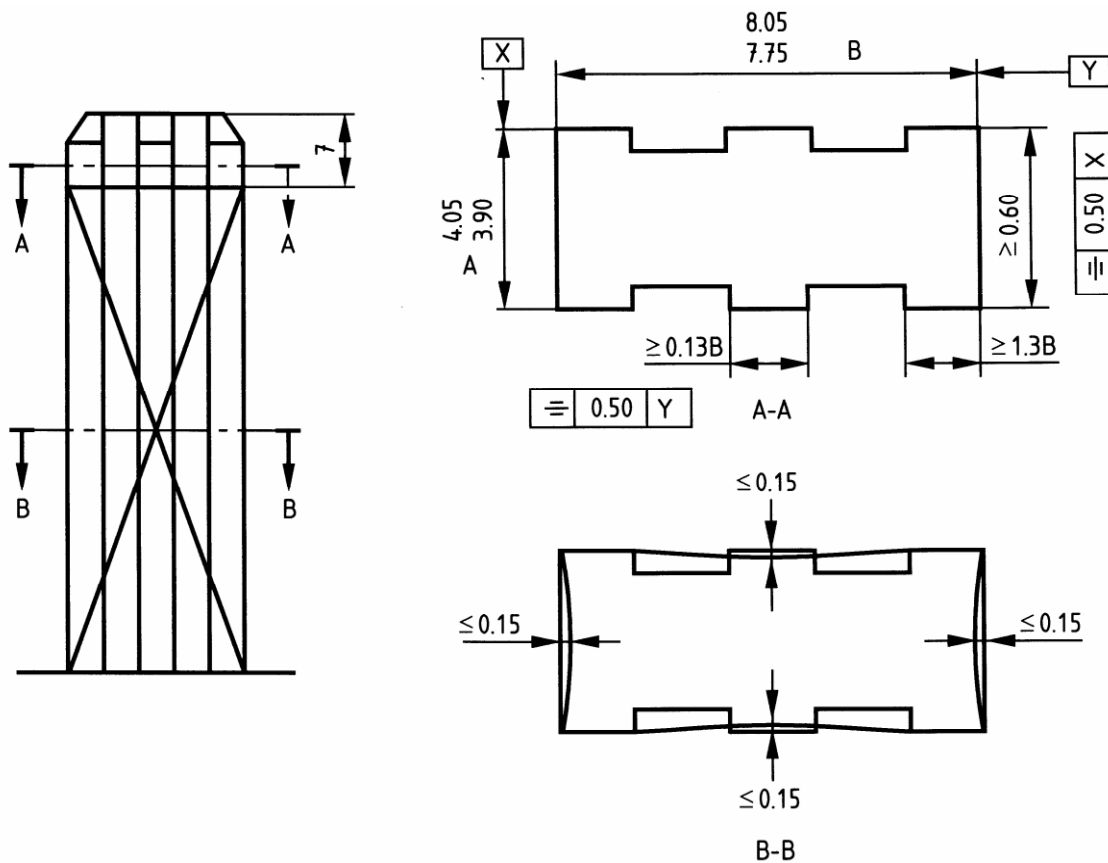
Plugs fitted with an ISOD shall comply with all the dimensions specified in Figure 4a) with the exception of the ISOD width which shall be 4.05 mm max and 3.90 mm min and its height which shall be 8.05 mm max and 7.75 mm min.



Solid insulated shutter opening device (ISOD)

NOTE Section A-A to be measured away from chamfer as shown.

Figure 4b) — Concave shrinkage allowance for ISODs



Solid insulated shutter opening device (ISOD)

Figure 4b) — Concave shrinkage allowance for ISODs (continued)

**12.2.1** Compliance shall be checked by inspection, measurement and by the use of the gauge shown in Figure 5.

For the gauging test rewirable plugs shall be fitted with a 3-core 1.25 mm<sup>2</sup> flexible cord as given in IEC 60227-5 (clause 6). Non-rewirable plugs shall be tested as delivered.

With the gauge in an approximately vertical position and the engagement surfaces of the plug and the gauge parallel to each other, the line and neutral pins shall be entered into the gauge for a distance not exceeding 2 mm. The plug shall then enter the gauge fully when a force of 10 N or less is applied to the centre of the plug at right angles to the engagement surface and without any additional force being applied to the pins to bring them into alignment.

In the case of plugs with ISODs, due to the flexibility of plastic materials some additional alignment of the ISOD is allowed when inserting into the Figure 5 gauge. Where alignment cannot be maintained the test given in EAS 495-2, 13.8, shall be applied and the maximum withdrawal force from a socket-outlet conforming to EAS 495-2 shall not exceed 36 N.

**12.3** No part of a line or neutral pin shall be less than 9.5 mm from the periphery of the plug measured along the engagement surface.

**12.3.1** Compliance shall be checked by measurement.

**12.4** A fuse link complying with EAS 496 shall be provided within the body of the plug and the fuse link shall be mounted in appropriate contacts only between the line terminal or termination and the corresponding plug pin in such a way that it cannot be displaced when the plug is in use. The design shall be such that the fuse link cannot be left in inadequate contact when the plug cover, fuse-cover or the fuse-carrier is replaced and firmly secured in position.

A manufacturer of plugs may supply plugs in part assembled form, with or without an appropriate fuse, direct to a manufacturer for incorporation in other equipment, provided that when assembled the complete plug complies with this part of EAS 495.

It shall be impossible to replace the fuse link in a plug unless the plug is completely withdrawn from the socket-outlet.

For non-rewirable plugs the current rating of the fuse link shall not exceed the value given in Table 2 for the appropriate size of the flexible cord.

**12.4.1** Compliance shall be checked by inspection.

**12.5** In non-rewirable plugs, where the fuse link is retained by means of a fuse carrier, this device shall be either:

- a) non-detachable during normal replacement of the fuse link; or
- b) readily identifiable in relation to its plug by means of marking.

**12.5.1** Compliance shall be checked by inspection.

**12.5.2** For non-rewirable plugs with the fuse carrier or cover removed and the fuse link correctly fitted in the fuse clips, the creepage and clearance distances between live parts of the fuse and clips and the engagement face of the plug shall meet the requirements of 8.1 and 8.2.

Conformity shall be checked by measurement.

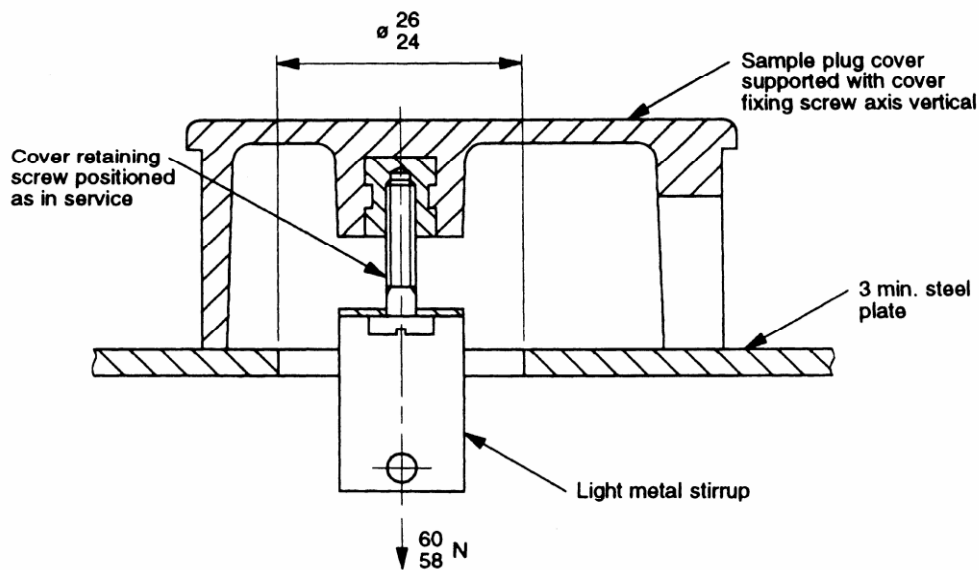
**12.6** The base and cover of non-rewirable plugs shall be permanently attached to each other, such that the flexible cord cannot be separated without making the plug permanently useless, and the plug cannot be opened by hand or by using a general purpose tool, for example a screwdriver used as such. A plug shall be considered to be permanently useless when, for reassembling, the plug parts or materials other than the original have to be used.

The base and cover of rewirable plugs shall be firmly secured to each other. It shall not be possible to remove the cover unless the plug is completely withdrawn from the socket-outlet. Any fixing screws shall be captive.

**2.6.1** Compliance shall be checked by inspection and by the following tests as applicable.

- a) Each plug cover fixing screw has a pull of  $60_{-2}^0 N$  exerted upon it for  $60_{0}^{+5}$  s whilst the surface temperature of the product is  $70\text{ }^{\circ}\text{C} \pm 5\text{ }^{\circ}\text{C}$ . The test is carried out using apparatus similar to that shown in Figure 6 and for the test the plug cover and apparatus are placed in an oven until they reach the required temperature.

At the end of the test any screw thread shall be serviceable and any insert shall not have moved to such an extent that correct assembly of the plug is prevented.



All linear dimensions are in millimetres

NOTE This drawing is not intended to govern design except as regards the dimensions and specific values shown.

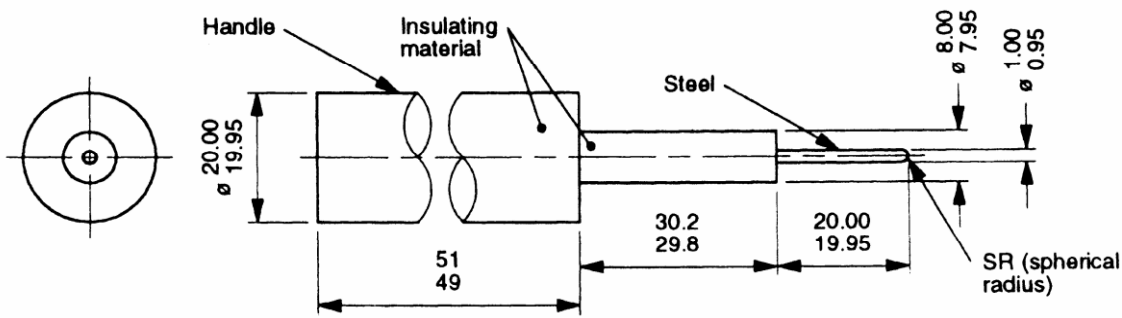
**Figure 6 — Apparatus for testing plug cover fixing screws** (see Clause 12)

- b) For rewirable plugs having covers fixed by means other than screws and for non-moulded-on, non-rewirable plugs, all the plug pins are clamped together in a suitable jig and subjected to a pull of  $60_{-0.2}^{\pm 0.2}$  N whilst suspending the cover by means of a "nest" to suit the plug cover profile. The test is carried out in an oven at a temperature of  $70 \text{ }^{\circ}\text{C} \pm 5 \text{ }^{\circ}\text{C}$  and the pull applied for  $60_{-5}^{+5}$  s after the temperature has been attained.

After the test it shall not be possible to touch live parts with the test pin shown in Figure 1 applied with a force of  $5_{-0.1}^{\pm 0.1}$  N.

- c) Non moulded on, non-rewirable plugs are tested with the flexible cord supplied. The plug pins are clamped in the vertical position using a suitable jig with the plug pins uppermost. The plug lead fitted shall be 1 m in length and a weight of  $(3 + 0.06/-0)$  Kg fixed to the end. With the weight initially held  $(0.5 \pm 0.05)$  m from the end of the cord anchorage, and at the same height. The weight is allowed to fall through an arc of 1 m and this test shall be carried out 5 times.

After this test the plug cover shall be in place and show no damage. If the flexible cable becomes detached during this test but the plug cover remains in place and shows no damage the plug shall be deemed to have passed this test. Compliance shall be checked by inspection.



All dimensions are in millimetres

**Figure 1 — Test pin** (see Clause 12)

**12.7** Plugs shall be so designed and constructed that they cannot readily be deformed to allow access to live parts.

**12.7.1** Compliance shall be checked by inspection and by the following test.

Immediately after the test described in Clause 16, test probe 11 of EAS 370 is applied to the accessible surface of the plug with a force of 30.0 N. It shall not be possible to touch live parts.

**12.8** For non-rewirable plugs means shall be provided to prevent loose strands of a conductor or current-carrying parts from reducing the minimum insulation thickness requirements between such parts and all accessible external surfaces of the plug.

**12.8.1** Compliance shall be checked by inspection and the test described in 15.2.

**12.9** Materials other than brass (having a minimum content of 58% copper) or nickel plated brass shall not be used in the construction of line and neutral plug pins except for sleeves of pins as specified in 12.16. Plug pins and ISODs shall conform to 12.9.1. Non-solid pins shall conform to 12.9.2.

**12.9.1** All exposed surfaces of plug pins shall be smooth and free from burrs or sharp edges and other irregularities which could cause damage or excessive wear to corresponding socket contacts or shutters.

**12.9.1.1** Compliance shall be checked by inspection

**12.9.2** Those surfaces of the non-solid plug pins which are visible when the plug is correctly assembled shall be free of apertures.

**12.9.2.1** Compliance shall be checked by inspection.

**12.9.3** All seams and joints of non-solid plug pins shall be closed over their entire length.

**12.9.3.1** Compliance shall be checked by inspection and in case of doubt by the following test.

Push a probe of 0.2 mm diameter of steel complying with ISO 8458-2 into all seams and joints. Check that the test probe does not enter into any seam or joint to a depth greater than the thickness of the material from which the plug pin is formed.

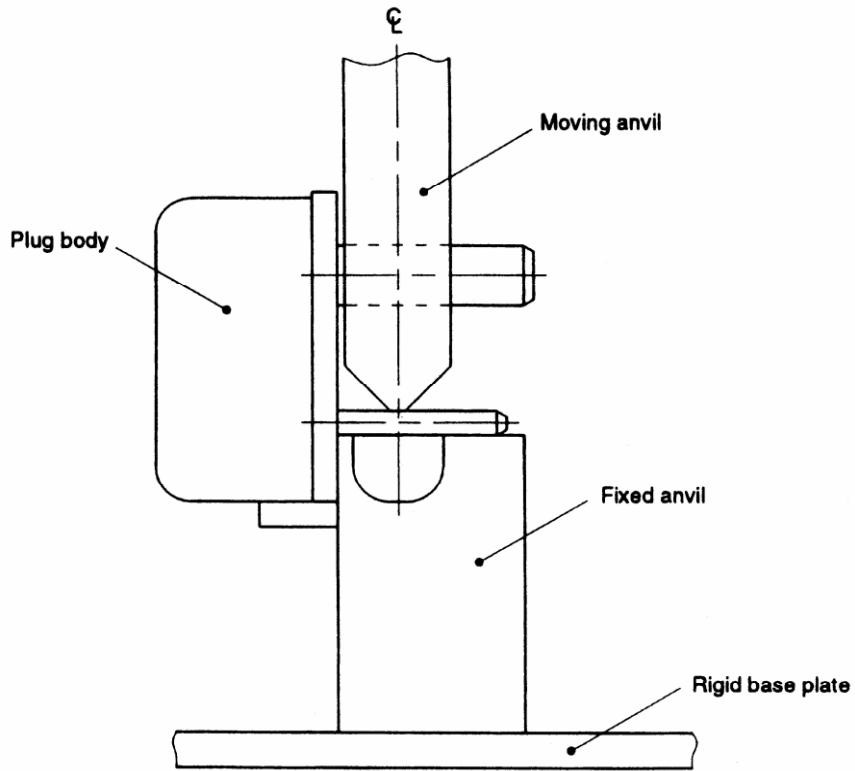
**12.9.4** Plug pins and ISODs shall have adequate strength to withstand the stresses of normal use.

**12.9.4.1** For solid pins and ISODs, compliance shall be checked by the following test.

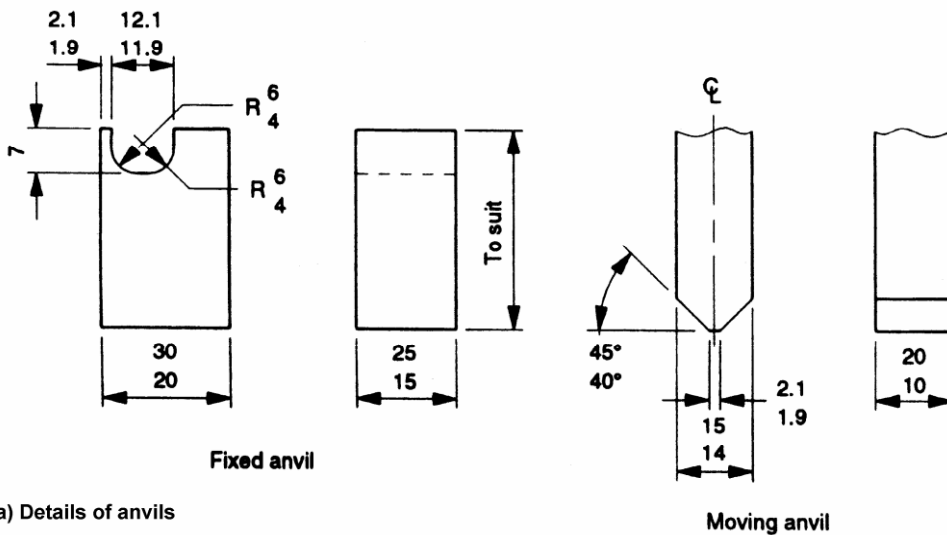
Position a pin on the fixed anvil of the apparatus, as shown in Figure 32, with its contact surfaces in the horizontal plane. Apply a force of  $1\ 100\ -_{10}^0$  N to the movable anvil by any convenient method such that the pin is strained at a rate not exceeding 10 mm/min.

Draft for public review





a) A plug-pin under test



All linear dimension

NOTE The body of the

a) Details of anvils

The moving anvil should be aligned in the centre of the gap in the fixed anvil.

**Figure 32 — Apparatus for tests on plug pins (see Clause 12)**

The test shall be made separately on the line, neutral and earth pins applying the load perpendicular to the major axis surfaces of the pins.

After this test the plug shall fit the gauge to Figure 5 when used in the manner described in 12.2.1.

**12.9.4.1** For non-solid pins, compliance shall be checked by the following tests.

- a) Position a pin on the fixed anvil of the apparatus, as shown in Figure 32, with its contact surfaces in the horizontal plane. Bring the movable anvil to rest against the upper surface of the pin. Apply a force of  $800_{-10}^0$  N to the movable anvil 50 times without impact.

The test shall be made separately on the line, neutral and earth pins applying the load perpendicular to the major axis surfaces of the pins. If there is a joint or seam in one of the major axis surfaces of a pin then the test shall be made twice. The seam or joint shall face the moving anvil for the first test and shall face the fixed anvil for the second test.

After the test the pins shall comply with 12.9.2 and 12.9.3 and the plug shall fit gauge shown in Figure 5 when used in the manner described in 12.2.1.

- b) Separate specimens shall be used to check in accordance with the following test.

Position a pin on the fixed anvil of the apparatus, as shown in Figure 32, with the widest surface in the horizontal plane. Bring the movable anvil to rest against the upper surface of the pin. This quiescent position shall be taken as the datum point. Apply a force to the movable anvil by any convenient method such that the pin is strained at a rate not exceeding 10 mm/min. Measure the applied force when the movement of the anvil from the datum point reaches  $1.5_{-0.01}^0$  mm. The test shall be made separately on the line, neutral and earth pins applying the load perpendicular to the major axis surfaces of the pins. If there is a joint or seam in one of the major axis surfaces of a pin then the test shall be made twice. The seam or joint shall face the moving anvil for the first test and shall face the fixed anvil for the second test. The force shall be not less than 1 100 N.

**12.9.4.3** For ISODs, compliance shall be checked by the following test.

Position the ISOD on the fixed anvil of the apparatus as shown in Figure 32 with the widest surface in the horizontal plane. Bring the moveable anvil to rest against the upper surface of the ISOD. The quiescent position shall be taken as the datum point. Apply a force to the moveable anvil by any convenient method, such that the ISOD is strained at a rate of  $10 \pm 2$  mm/min.

A force of  $400 + 10/0$  N is applied and the measured deflection shall not exceed 1.5 mm. The ISOD shall not be broken or show cracks that are visible with normal or corrected vision without additional magnification.

After the test the plug shall fit the Figure 5 gauge when used in the manner described in 12.2.1 with a force not exceeding 20 N.

When testing a plug fitted with an ISOD due to the flexibility of plastic materials some additional alignment of the ISOD is allowed when inserting into the Figure 5 gauge. Where alignment cannot be maintained the test of Clause 13.8 of EAS 495-2 shall be applied and the maximum withdrawal force from a socket-outlet complying with EAS 495-2 shall not exceed 36 N.

**12.9.5** Plugs with nickel plated brass pins, non-solid pins and/or ISODs shall not cause excessive wear to socket contacts or shutters of socket-outlets in accordance with EAS 495-2. For plugs with non-solid pins compliance shall be checked by 12.9.5.1. For plugs with ISODs compliance shall be checked by 12.9.5.2.

**12.9.5.1** Compliance shall be checked by the following tests.

The test is carried out using a combination of plugs with nickel plated brass pins and/or non-solid pins and three different types of new and unused single unswitched socket-outlets in accordance with EAS 495-2. One type of socket-outlet shall have the shutters operated by the line and neutral pins, the other two types of socket-outlet shall have the shutters operated by the earth pin; of these two types of socket-outlet one shall have a shutter operating ramp of metal and the other of plastics.

The combination of rewirable plugs having non-solid pins and each type of socket-outlet as described shall make and break a current of  $13 \text{ A} \pm 0.4 \text{ A}$ , non-rewirable plugs shall be tested with the rated current appropriate to the flexible cord given in Table 2, at  $250 \text{ V} \pm 10 \text{ V}$  ac 15 000 times (30 000 movements) in a substantially non-inductive circuit.

Each plug is inserted into and withdrawn from the socket-outlet at a rate of six insertions and six withdrawals per minute, the speed of travel of the plug being approximately 150 mm/s. The periods during which the plug is inserted and withdrawn shall be approximately equal. The plug pins are renewed or a new plug is used after each 5 000 insertions and withdrawals. For the purpose of this test no lubrication shall be applied to the pins of the plug or the socket-outlet contacts.

After the test the shutters of the socket-outlets shall be operating satisfactorily, the socket contacts safely shielded and the socket-outlets shall be in accordance with 9.1, 15, 14, 12.4.1a), 10.2, 12.6, 12.7 and 12.8 of EAS 495-2 and the permitted values of voltage drop specified in 13.4.2 of EAS 495-2 for the plug pin to socket contact measurements increased by 50 %. The pins of the plug shall remain intact with no openings in the surface, joints or seams which will accept the probe specified in 12.9.3.

**12.9.5.2** Compliance shall be checked by the following.

Using a selection of three different makes of rewirable plugs conforming to this standard and three different makes of unswitched socket-outlets conforming to EAS 495-2, selected to represent different earth contact designs, the earth resistance between the earthing plug pin and the earthing socket contact of the socket-outlets shall be established in accordance with EAS 495-2, 10.2.1b).

All socket-outlets shall be of the type where the earth pin or ISOD of a plug inserted into the socket-outlet operates the shutter mechanism.

One type of socket-outlet shall preferably have a shutter-operating ramp of metal.

The test shall be made using a separate sample of plug with ISOD for each type of socket-outlet, with each sample being inserted into and withdrawn from the socket-outlet at a rate of six insertions and six withdrawals per minute, the speed of travel of the plug being approximately 150 mm/s. The period during which the plug is inserted and withdrawn shall be approximately equal. For the purpose of this test no lubrication is applied to the plugs or sockets either prior to or during the test.

After 5 000 insertions and withdrawals the standard rewirable plug used prior to the test, for each type of socket-outlet shall be reinserted and the earth resistance test repeated. After the test the earth resistance between the earthing plug pin and the earthing socket contact of the socket-outlets shall be in accordance with EAS 495-2, 10.2.1b).

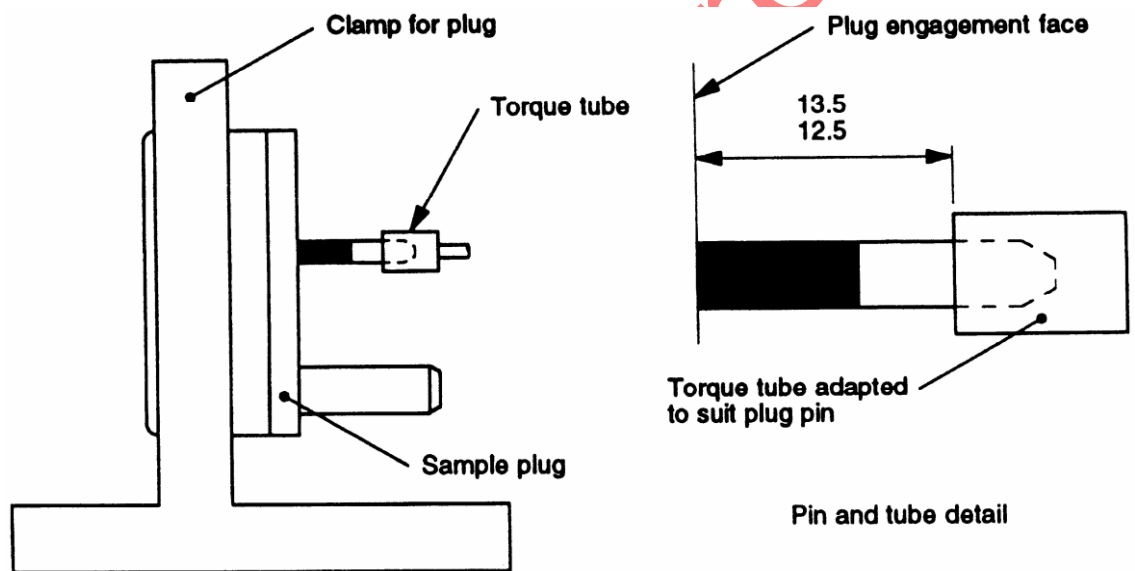
The socket-outlet shall be examined and shall show no sign of damage that would impair further use. The plugs under test shall show no damage and shall comply with the dimensional requirements of this standard.

After the test, the shutters of the socket-outlet shall be operating satisfactorily and the socket contacts shall be safely shielded.

**12.9.6** Plug pins and ISODs shall have adequate mechanical strength to ensure that they cannot be distorted by twisting.

**12.9.6.1** Compliance shall be checked by inspection and by the following test.

The plug is clamped in a block as shown in Figure 33. Each pin is twisted about its longitudinal axis by applying a torque of  $1 \text{ Nm} \pm 10 \%$ , for  $60_{-0}^{+5} \text{ s}$ . The torque tube and its position on the plug pin shall be as shown in Figure 33. After each pin has been separately twisted the plug shall fit the gauge shown in Figure 5. The test shall then be repeated with each plug pin being twisted in the opposite direction to that of the first test. After this second test the plug shall fit the gauge shown in Figure 5. In each case the gauge is used in the manner as described in 12.2.1.



**Figure 33 — Apparatus for torsion test on pins (see Clause 12)**

**12.10** The terminals of earthing and neutral plug pins shall be formed as one piece with or shall be permanently connected to the pin in such a way that efficient electrical connection is made that cannot work loose in use. This connection shall not be made by means of a screw.

The contact for the fuse link connected to the line terminal or termination shall be formed in one piece with the fixed part of the terminal or termination, or be permanently connected to it in such a way that it cannot work loose in normal use, and the other contact for the fuse link shall be similarly connected to the corresponding plug pin. These connections shall not be made by means of screws.

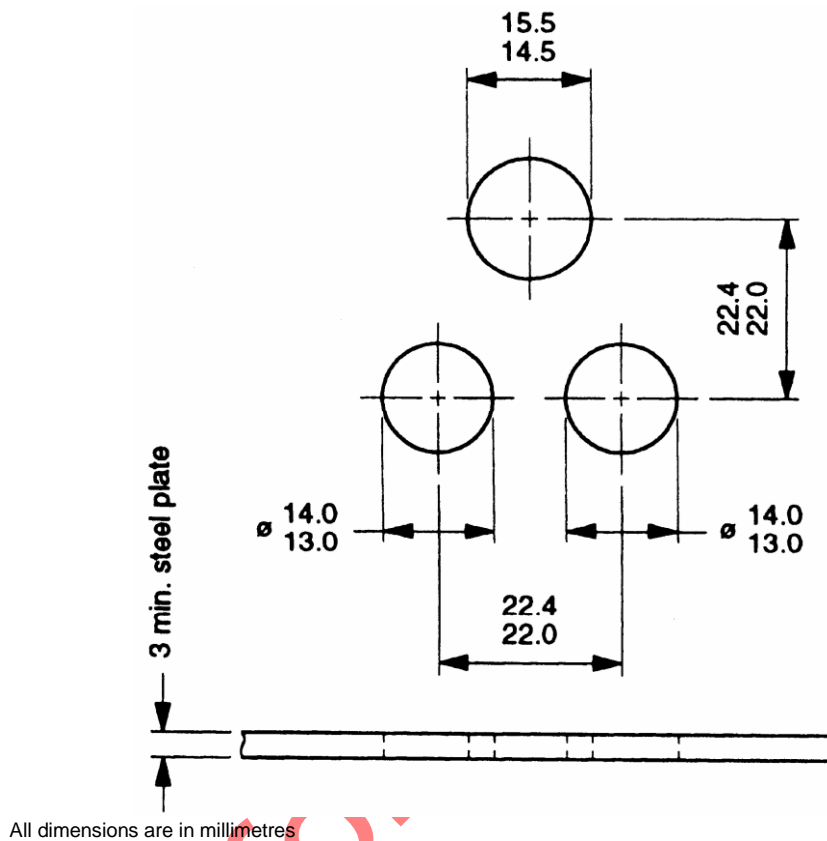
The line terminal or termination shall provide for effectively clamping and securing conductors connected to it so that efficient electrical connection is made with the fuse link.

**12.10.1** Compliance shall be checked by inspection and the tests described in 19.1.3 and Clause 15

**12.11** Plugs shall be so designed that when fully assembled the pins are adequately retained in position such that there is no likelihood of them becoming detached from the plug during normal use.

**12.11.1** Compliance shall be checked by the following test.

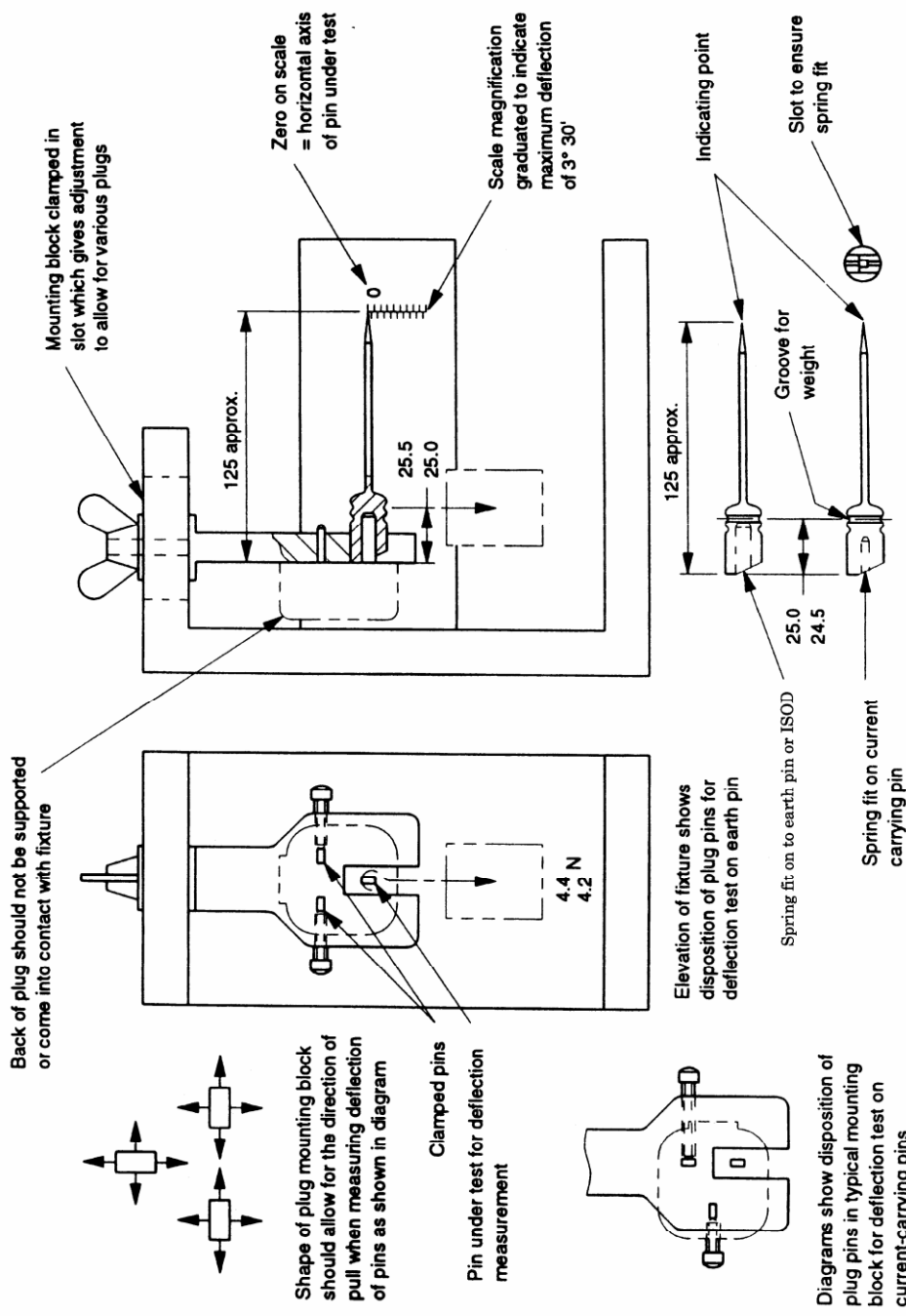
After the tests described in Clause each pin is subjected for  $60_{0}^{+5}$  s to a pull of  $100_{-2}^{0}$  N without jerks in the direction of the major axis. The plug is mounted using the steel plate shown in Figure 7. The apparatus is placed within an oven and the pull is applied at least 1 h after the plug body has attained the test temperature of  $70\text{ }^{\circ}\text{C} \pm 5\text{ }^{\circ}\text{C}$  while maintained at this temperature.



**Figure 7 — Mounting plate**

After the test the plug pin shall comply with the gauge shown in Figure 5 when used in the manner as described in 12.2.1.

**12.12** The degree of flexibility of mounting of the plug pins or the angular movement of the pins in the base shall be not greater than  $3^{\circ} 30'$  in the directions shown in Figure 8 from an axis which is perpendicular to the plug engagement face when the pins are subjected to a force as shown in Figure 8.



All linear dimensions are in millimetres

NOTE 1 This drawing is not intended to govern design except as regards the dimensions and specific values shown.

NOTE 2 Indicators manufactured from material of negligible weight such as aluminium.

**Figure 8 — Plug pin deflection test apparatus for resilient plugs (see Clause 12)**

**12.12.1** Compliance shall be checked by inspection and in case of doubt by the following test.

NOTE Plugs may be checked using an apparatus similar to that shown in Figure 8. (Other methods of measuring the 3° 30' deflection may be used.)

The plug is clamped in the mounting block by means of any two of the plug pins in such a manner as to ensure that the face of the plug, from which the plug pins project, is supported and in contact with the corresponding flat surface of the mounting block. The back of the plug is not supported and does not come into contact with the fixture. The axis of the clamped pins is horizontal.

The unclamped pin shall be tested for declination from the horizontal by applying a force of

$4.4^{0}_{-0.2}$  N,

$25^{0}_{-0.2}$  mm from the engagement face of the plug and parallel with it in the four directions shown in Figure 8. The test shall be repeated in turn on the other two pins of the plug.

During each test the declination from the horizontal measured on the scale shall not exceed  $3^{\circ} 30'$ . After all tests have been completed the plugs shall fit the gauge shown in Figure 5 when used in the manner as described in 12.2.1.

**12.13** Suitable means shall be provided for withdrawing the plug without subjecting the flexible cord to stress.

**12.13.1** Compliance shall be checked by inspection.

**12.14** Non-rewirable plugs shall be fitted with flexible cords in accordance with 18.4.

**12.14.1** Compliance shall be checked by inspection.

**12.15** Conductive component parts of plugs shall be so located and separated that, in normal use, they cannot be displaced so as to affect adversely the safety or proper operation of the plug.

**12.15.1** Compliance shall be checked by inspection and manual manipulations.

**12.16** Line and neutral plug pins shall be fitted with insulating sleeves. The dimensions of the pin and sleeve shall fall within those given in Figure 4a). Sleeves shall not be fitted to any earthing plug pin.

**12.16.1** Compliance shall be checked by inspection and by measurement for pin and sleeve and use of the gauge shown in Figure 5 as described in 12.2.1 for socket-outlet compatibility.

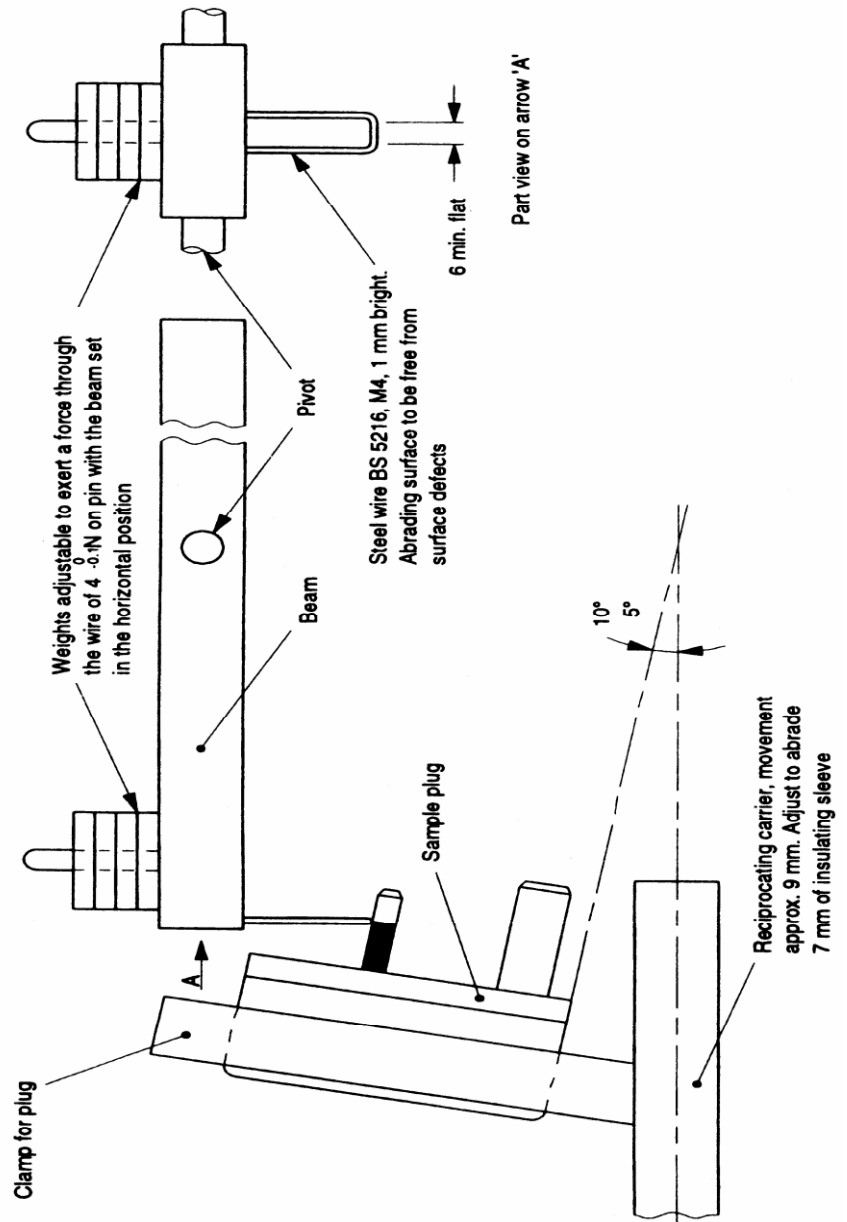
**12.17** Plug pin sleeves shall have adequate electric strength, resistance to abrasion and resistance to deformation due to overheating of pins.

**12.17.1** Compliance shall be checked by the tests given in 12.17.2 to 12.17.4.

**12.17.2** A 50 Hz voltage of substantially sinusoidal waveform is applied between each L and N pin and a thin metal strip of between 5.5 mm and 6 mm width wrapped around the base of the plug pin sleeve adjacent to the base of the plug. Initially not more than 500 V is applied, the voltage then being raised to  $1250 \text{ V} \pm 30 \text{ V}$  which is maintained for  $60^{+5}_0$  s.

During the test no breakdown or flashover shall occur.

**12.17.3** The test apparatus for resistance to abrasion (see Figure 9) comprises a horizontally disposed beam pivoted about its centre point. A short length of steel wire, 1 mm ± 0.02 mm in diameter and bent into a U-shape, the base of the U being straight, with no surface defects, is rigidly attached at both ends to one end of the beam so that the straight part of the wire projects below the beam and is parallel to the axis of the beam pivot.



All linear dimensions are in millimetres

NOTE This drawing is not intended to govern design except as regards the dimensions and specific values shown.

**Figure 9 — Apparatus for abrasion test on insulating sleeves of plug pins (see Clause 12)**

The plug is held in a suitable clamp as shown in Figure 9 in such a position that the straight part of the steel wire rests upon the plug pin at right angles to it and the plug pin slopes downward at an angle between 5° and 10° to the horizontal. The beam is loaded so that the wire exerts a force of 4<sup>0</sup><sub>-0.1</sub> N on the pin.



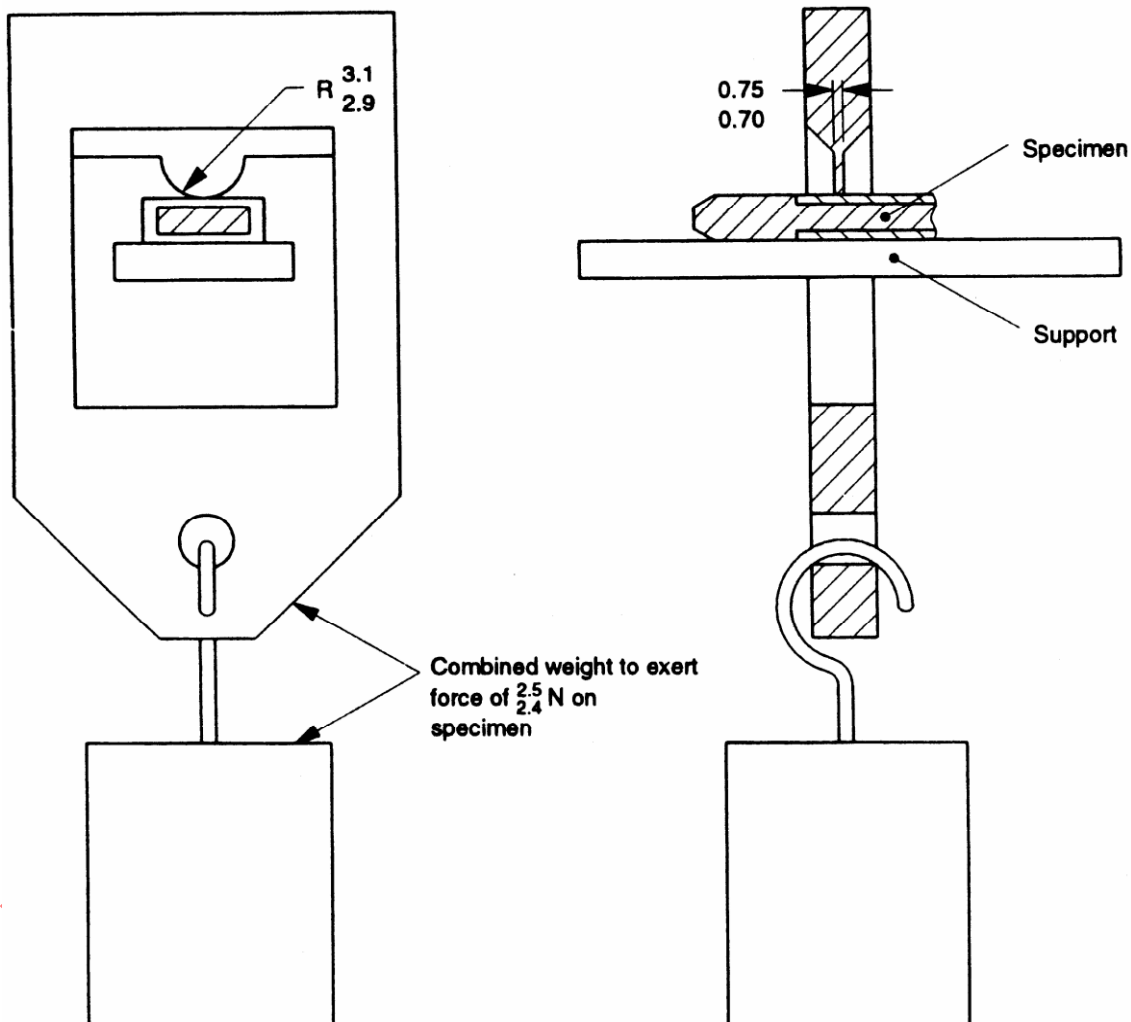
The plug is moved backwards and forwards in a horizontal direction in the plane of the axis of the beam so that the wire rubs along the pin. The length of pin thus abraded is approximately 9 mm of which approximately  $r$  mm is over the insulating sleeve.

The plug is moved 10,000 times in each direction (20,000 movements) at a rate of 25 movements to 30 movements per minute.

The test shall be made on one pin of each plug.

After the test the sleeve shall show no damage which might impair the further use of the plug. The sleeve shall not have been penetrated or creased and shall satisfy the tests described in 12.17.2, any abraded brass contamination on the sleeve having been removed.

**12.17.4** A set of three specimen pins is tested by means of the apparatus shown in Figure 10 which has a blade  $0.70_{0}^{+0.05}$  mm wide and a radius of  $3 \text{ mm} \pm 0.1 \text{ mm}$ . The test is made on one pin of each plug not used for the test described in 12.17.3.



All dimensions are in millimetres

NOTE This drawing is not intended to govern design except as regards the dimensions and specific values shown.

**Figure 10 — Apparatus for pressure test at high temperatures** (see Clause 12)

A specimen is positioned as shown in Figure 10 and the apparatus is loaded so that the blade exerts a force of  $2.5^{+0.1}$  N on the specimen. The apparatus, complete with specimen, is then placed in a heating cabinet at  $200^{+8}$  °C for a period of  $120^{+5}$  min, after which the specimen is removed and immediately cooled by immersion in water at approximately room temperature.

The thickness of the insulation remaining at the point of impression is measured and shall not have been reduced by more than 50 %.

**12.18** Switches shall be also constructed that undue arcing cannot occur when the switch is operated slowly.

The switch in any switched fused plug shall disconnect at least the supply to the line terminals.

Double pole switches shall make or break each pole with one movement of the actuator

**12.18.1** conformity shall be checked by inspection and by the following test

Following the test described in Clause 17, the circuit shall be broken a further 10 times, each time moving the actuating member by hand over a period of approximately 2 s in a manner such as to attempt to stop the moving contact in an intermediate position causing arcing. The actuating member shall be released after approximately 2 s and any arcing shall cease.

**12.18.2** The actuating member of a switch at rest shall take up a position corresponding to that of the moving contacts except those having a single push-button where the actuating member takes up a single rest position. The actuating mechanism shall be so constructed that when operated the switch remains only in a position giving adequate contact or adequate separation of contacts.

**12.18.2.1** Conformity shall be checked by inspection and the test of 12.18.3.

12.18.3 Discusses test of the switch using necessary force (F). There is Table 7-Actuator test force  
**13.18.3** The necessary force (F) to switch off shall first be measured and the force shall be applied to the extremity of the actuating member.

With the actuating member of the switch in the closed position, for single pole switches, the fixed and moving contacts shall be mechanically fixed together. For double pole switches, the three samples shall be prepared as follows:

- a) The fixed and moving contacts of one pole shall be mechanically fixed together and the actuating member of the switch tested.
- b) The fixed and moving contacts of the other pole shall be mechanically fixed together and the actuating member of the switch tested.
- c) The fixed and moving contacts of both poles shall be mechanically fixed together and the actuating member of the switch tested.

When fixing the contacts, care shall be taken to ensure that the test result is not unduly affected. The method for fixing the contacts shall not unduly affect the test result. Dismantling of the test sample is permitted where necessary in preparation for this test. The test sample and components shall not be damaged during this preparation. The actuating member shall be subjected to a test force as defined in Table 7. This force shall be applied in one smooth and continuous motion to the extreme point of the actuating member in the most favourable direction to open the contacts for a period of 10 s.

If locking means are designed to lock the actuating members in opened position, it shall not be possible to lock the actuating members in this position while the force is applied.

After the test and when the test force is no longer applied, the actuating member shall not remain at rest in the “off” position.

**Table 7 — Actuator test force**

Type of actuator	Test force	Minimum test force N	Maximum test force N
Switch actuator	3F	50	150
<p><i>F</i> is the normal operating force in new condition. The test force shall be 3F with the stated minimum and maximum values applied.</p> <p><i>NOTE</i> The use of grease and the like is not considered to be a mechanical fixing means.</p>			

**12.19** Electronic components incorporated in plugs shall conform to Annex G.

**12.19.1** Conformity shall be checked by inspection of component conformity evidence and the tests of Annex G.

## 13 Resistance to ageing and to humidity

### 13.1 Resistance to ageing

Plugs shall be resistant to ageing.

**13.1.1** Compliance is checked by the following test.

Plugs are subjected to a test in a heating cabinet with an atmosphere having the composition and pressure of the ambient air and ventilated by natural circulation.

The temperature of the cabinet is kept at 70 °C ± 5 °C. The specimens are kept in the cabinet for 168 h (0, +2) h.

NOTE 1 The use of an electrically heated cabinet is recommended.

NOTE 2 Natural circulation may be provided by holes in the walls of the cabinet.

After the treatment, the samples are removed from the cabinet and kept at room temperature and relative humidity for 1 h; and following which they are examined and shall show no damage which:

— would lead to non-compliance with this standard;

— would impair safety;

— would prevent further use.

## 13.2 Resistance to humidity

Plugs shall be proof against humid conditions which may occur in normal use.

**13.2.1** Compliance shall be checked by the humidity treatment described below followed within 20 min by the measurement of the insulation resistance and by the electric strength test specified in Clause 15.

Rewirable plugs are fitted with 1 000 mm  $\pm$  50 mm of 3-core 1.25 mm<sup>2</sup> PVC cord as given in IEC 60227-5 (clause 6). Non-rewirable plugs are tested with 1 000 mm  $\pm$  50 mm of the flexible cord with which they are supplied measured from the centre of the earth pin.

To suit the ambient conditions at the time of test, a convenient temperature,  $T$  (in °C), between 20 °C and 30 °C, is chosen as a reference temperature. The sample is brought to a temperature of between  $T$  and  $T + 4$  °C and is then placed in a humidity cabinet containing air with a relative humidity maintained between 85 % and 95 %. The temperature of the air where the samples are placed shall be kept within

$\pm 2$  °C of the chosen value  $T$ .

The sample is kept in the cabinet for 48<sub>0</sub><sup>+1</sup> h.

NOTE 1 In most cases samples may be brought to the chosen reference temperature by keeping them at this temperature for at least 4 h before the humidity treatment.

NOTE 2 A relative humidity of between 85 % and 95 % can be obtained by placing in the humidity cabinet a saturated solution of potassium nitrate (KNO<sub>3</sub>) or sodium sulfate (Na<sub>2</sub>SO<sub>4</sub>) in water having a sufficiently large contact surface with the air.

In order to achieve the specified conditions within the cabinet it is necessary to ensure constant circulation of the air within the cabinet and, in general, to use a cabinet which is thermally insulated.

The tests described in Clause 14 shall be made in the humidity cabinet or immediately after removal of the specimen from the cabinet in a room where the specified temperature is maintained. Inspection shall not reveal any damage to the sample which would impair its use or safety within the requirements of this part of EAS 495.

## 14 Insulation resistance and electric strength

14.1 The insulation resistance and electric strength of plugs shall be adequate.

14.1.1 Compliance shall be checked by the tests described in 14.1.2 and 14.1.3.

14.1.2 The insulation resistance is measured using a d.c. voltage of  $500 \pm 250$  V the measurement being made for  $60 \pm 5$  s, after application of the voltage. The insulation resistance is measured consecutively between:

- a) line and neutral terminals/terminations;
- b) line and neutral terminals/terminations connected together and:
  - 1) a metal foil in contact with the entire accessible external surface;
  - 2) the earthing terminal/termination;
  - 3) any metal part of a cord anchorage.
- c) each switched pole terminal of a switched plug and corresponding plug pin, with the switch contacts open.

The insulation resistance shall be not less than the following:

- i) 5 M $\Omega$  between parts of opposite polarity;
- ii) 5 M $\Omega$  between parts of opposite polarity connected together, and other parts, including earthed metal, intended to be insulated from them;
- iii) 2 M $\Omega$  across switch contacts with the switch open, where applicable.

Indicators and incorporated electronic components shall be disconnected before making this test. Where terminals/terminations are not directly accessible, e.g. in non-rewirable plugs, these tests shall be made using accessible parts, e.g. pins known to be connected to the terminations."

14.1.3 A 50 Hz voltage of substantially sinusoidal waveform is applied as described in 14.1.2. Initially, not more than 1 000 V is applied, the voltage then being raised to  $2000 \text{ V} \pm 60 \text{ V}$ . The high voltage source used shall be such that when the output is adjusted to  $2000 \text{ V} \pm 60 \text{ V}$  for  $60 \pm 5$  s and is then short circuited, the output current is not less than 200 mA. Any overcurrent protection shall not operate at a current less than 100 mA.

During the test no flashover or breakdown shall occur. Glow discharges without drop in voltage shall be ignored.

Indicators and incorporated electronic components shall be disconnected before making this test.

**14.2** Non-rewirable plugs shall withstand a high voltage test, for which the test voltage shall be alternating, (50 Hz to 60 Hz) applied between all current-carrying parts connected together and a conducting electrode in contact with the entire outer accessible surface, omitting the engagement face. This test shall be carried out at  $6\,000\text{ V} \pm 100\text{ V}$  for a period between 3 s and 5 s.

During the test no breakdown or flashover shall occur.

Glow discharges without drop in voltage shall be ignored.

## 15 Temperature rise

**15.1** Plugs and their surroundings shall not attain excessive temperatures in normal use.

**15.1.1** Compliance shall be checked by the following tests.

The tests shall be carried out at rated voltage +10 %, –20 %.

Plugs shall be tested at rated frequency.

Plugs rated 50 Hz and 60 Hz shall be tested at either frequency unless they contain electronic components which can influence the temperature rises, in which case the most unfavourable rated frequency shall be used.

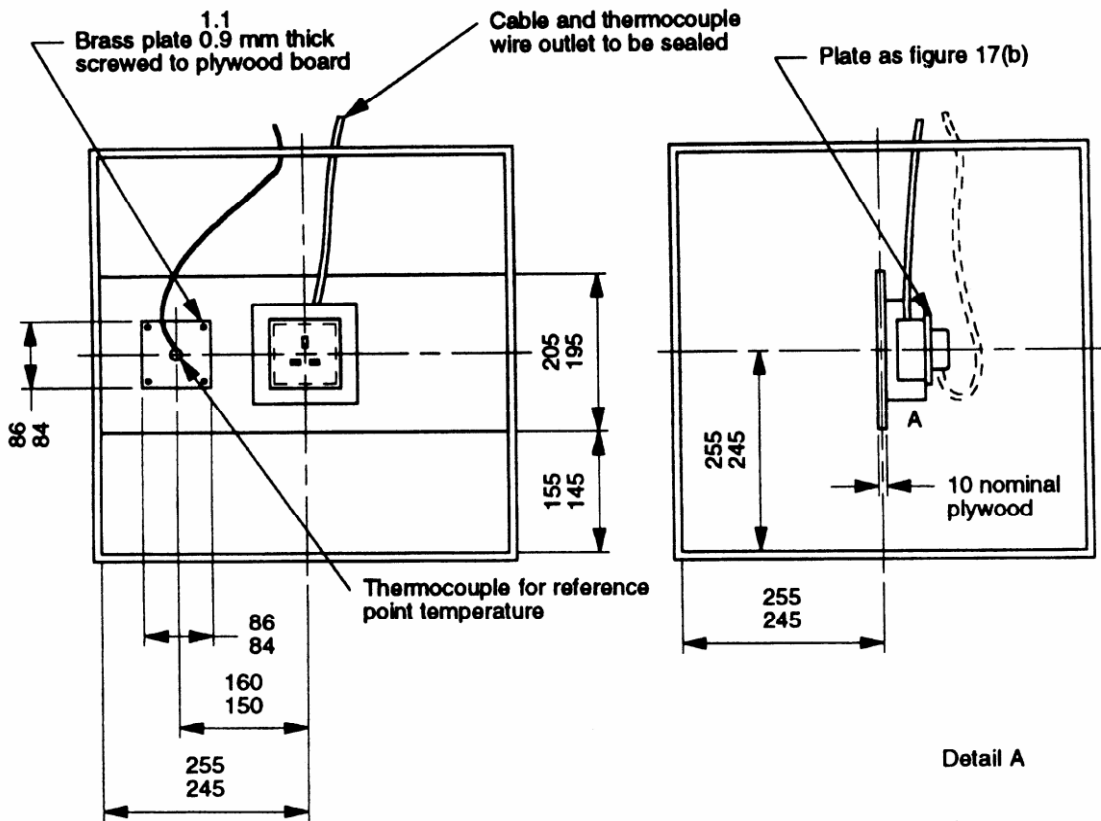
For these tests, where conductors are connected to terminals, the terminal screws shall be tightened with a torque equal to two-thirds of the values given in Table 3.

For rewirable plugs with clamp type (screwless) terminals the connection of the conductors shall be made in accordance with the manufacturer's instructions.

During the tests temperature rises are measured where overheating might result in a hazard and the values measured shall not exceed the values given in Table 4. Additionally the temperature rises of the line and neutral plug pins are measured by means of thermocouples using the apparatus shown in Figure 17. Temperature rises are determined by means of fine wire thermocouples so chosen and positioned that they have minimum effect on the temperature of the part under test. The thermocouples are attached by means of a mixture of equal parts of resin adhesive and zinc oxide, by soldering, or by other equally effective means.

If soldering is used, it is essential that care is taken to ensure that the heat from the soldering process does not affect the performance of the plug and that no electrical connections are bridged by solder

If in order to fix thermocouples a non-rewirable plug is dissected to give access to the appropriate positions, the removed parts shall be replaced and if necessary shall be cemented in place so that no additional air spaces are created.



#### Test cabinet

**Material:** 10 mm nominal plywood.

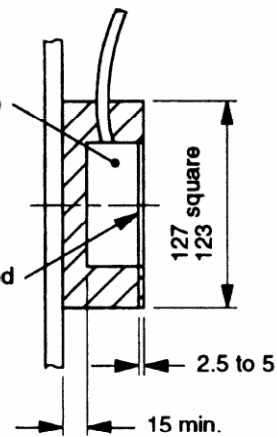
**Finish:** Internal. Two coats of matt paint.  
BS 4800 colour no. 08 C 35.

**Dimensions:** Internal. 500 mm x 500 mm x 500 mm  
with a tolerance of  $\pm 10$  mm for each  
dimension. One wall to be removable  
to provide access.

**Location:** Minimum clearance from adjacent  
surfaces, measured horizontally 150 mm  
on all sides, measured vertically 300 mm  
above, 500 mm below.

Mounting box to figure 1(b)  
of BS 4662: 1970 35 deep  
(nominal)

Front edge recessed  
as shown



Wooden mounting block

All linear dimensions are in millimetres

Figure 17a) — Test apparatus for temperature rise test (see Clause 16)

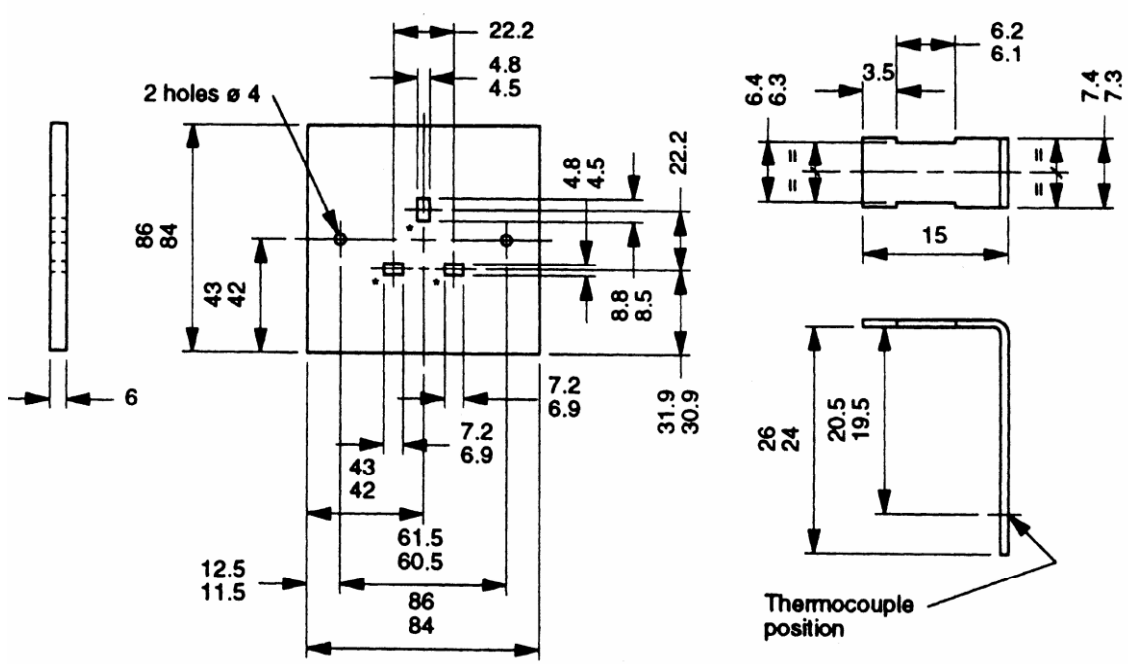
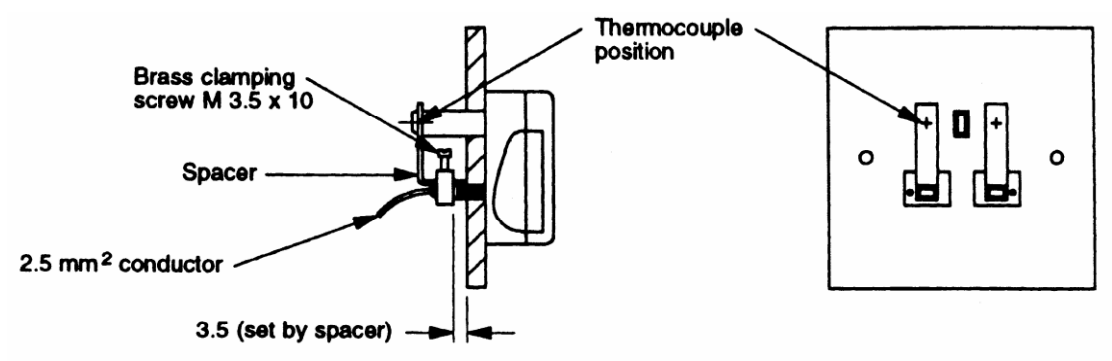
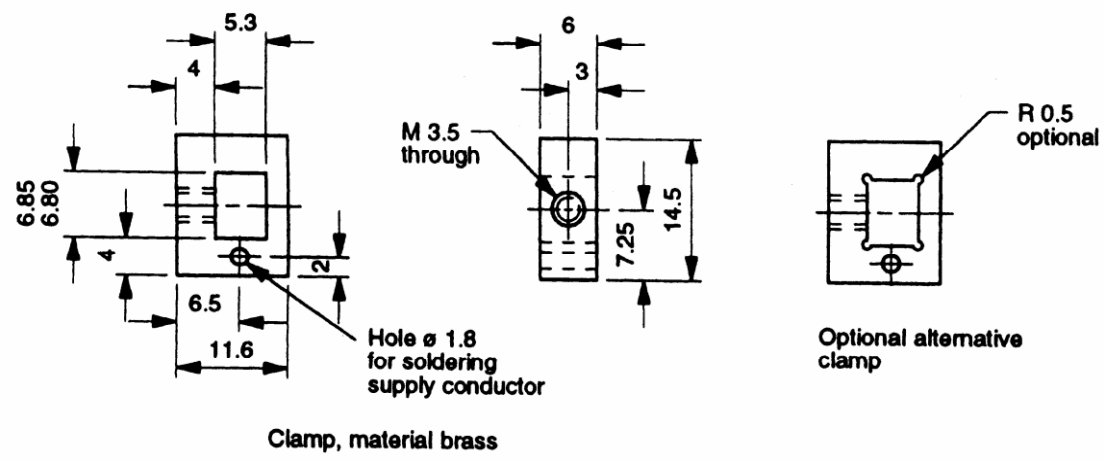


Plate (of insulating material SRBP brown BS 2572/P2/1)

Spacer material brass CZ 108  
0.8 mm thick to BS 2870



All linear dimensions are in millimetres

\* The positional tolerance of the three pin apertures shall be proved by the use of gauges in accordance with Figure 11.

NOTE Tolerance  $\pm$  0.2 mm except where shown.

Figure 17b) — Dummy front plate for temperature rise test (see Clause 16)



**15.1.2** Rewirable plugs are tested with 1000 mm ± 50 mm of 1.25 mm<sup>2</sup> 3-core PVC insulated flexible cord as given in IEC 60227-5 (clause 6), non-rewirable plugs are tested with 1000 mm ± 50 mm (measured from the centre of the earth pin) of the flexible cord supplied at an appropriate test current as given in Table 2.

The plug is fitted with a calibrated link, constructed and calibrated in accordance with Annex A, and is mounted in a flat insulating plate as shown in Figure 17. The supply conductors are attached to the line and neutral pins of the plug by means of clamps which also serve to retain the plug in position. The clamp screws are tightened to a torque of between 0.8 Nm and 1.2 Nm. The assembly is mounted by means of screws in a standard steel flush-mounted socket-outlet box as shown in Figure 1b of EAS 203, having a nominal internal depth of 35 mm which is mounted in a test cabinet as shown in Figure 17a).

The incoming cable and outgoing flexible cord shall enter the test cabinet through holes in the top surface which shall then be sealed to prevent circulation of air. The length of cable and flexible cord within the Figure 17 enclosure shall be of a maximum length of 600 mm and 850 mm respectively. Care shall be taken to position the cable and flexible cord away from the reference temperature measuring point so not to influence the derivation of plug temperature rise values.

The incoming cable shall be a 2.5 mm<sup>2</sup> PVC insulated and sheathed cable, as given in Table 8 of IEC 60227 and shall enter the socket-outlet mounting box through the standard knockout provided. This shall be fitted with a suitable rubber grommet, the point of entry being sealed to prevent the circulation of air. The length of cable within the socket-outlet box shall be 150 mm ± 5 mm and the outer sheath and the circuit protective conductor shall be removed to within 20 mm of the point of entry. The test cabinet [Figure 17a)] is placed in an environment having an ambient temperature of 20 °C ± 5 °C. The test current as specified in Table 2 shall be passed through the plug and through a load connected to the flexible cord for a minimum continuous period of 4 h or longer until stability is reached with a maximum duration of 8 h, stability being taken as less than 1 K rise within 1 h.

The temperature rise is calculated by deducting the reference point temperature from the measurement point temperature recorded [see Figure 17a) and Figure 17b)] respectively).

**Table 8 — Permitted temperature rises**

Measurement point	Temperature rise K
Line pin spacer (see Figure 17)	37
Neutral pin spacer (see Figure 17)	37
Terminals or terminations	52
Accessible external surface	52
NOTE The recording of a measured value up to and including the specified maximum permissible limit for temperature rise is considered to comply with the requirements of the standard on condition that the uncertainty of measurement at not less than 95 % confidence level does not exceed ±2 °C.	

## 16 Breaking capacity of switches incorporated in fused plugs

16.1 The breaking capacity of switches incorporated in plugs shall be adequate.

16.1.1 Conformity shall be checked by the following test. The switch shall make and break a current of  $1.25 \times$  rated current  $\pm 0.4$  A (i.e.  $1.25 \times 13$  A  $\pm 0.4$  A) in a substantially non-inductive a.c. circuit at  $275$  V  $\pm 5$  V, ten times in succession at intervals of approximately 30 s. After the test the plug shall be capable of passing the subsequent tests detailed in Table 1 for the appropriate test sample.

## 17 Normal operation of switches

17.1 Switches incorporated in plugs shall withstand, without excessive wear or other harmful effects, the electrical and mechanical stresses occurring in normal use.

17.1.1 Conformity shall be checked by the following tests.

The voltage drop across each switched pole, measured at points immediately adjacent to the switch, shall not exceed 60 mV at rated current.

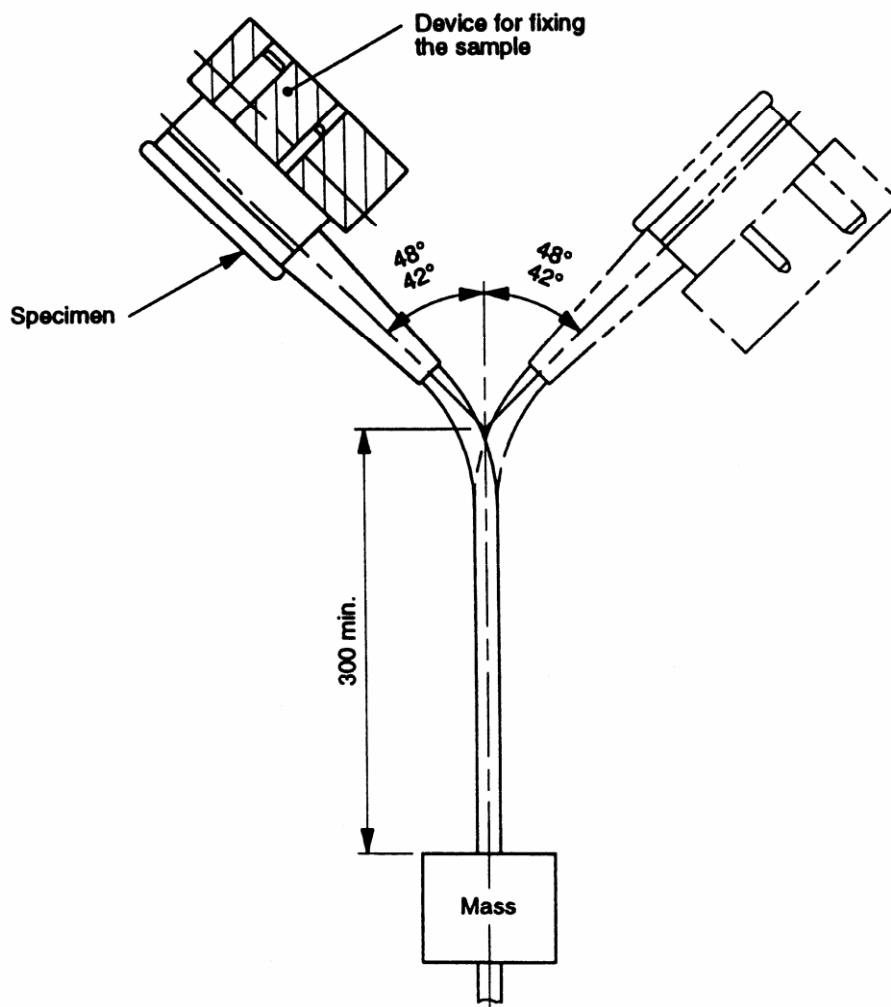
The switch shall then make and break a current of  $13$  A  $\pm 0.4$  A at  $250$  V  $\pm 10$  V 15 000 times (30000 movements) in a substantially non-inductive a.c. circuit at a rate of approximately six complete cycles per minute at regular intervals.

The periods during which the switch is "on" and "off" shall be approximately equal. The means for operating the switch shall be such as to move the actuating member at a speed of approximately 300 mm/s both in making and breaking the circuit and shall be so positioned that the normal action of the mechanism is not interfered with in any way.

At the end of the test, the switch shall be capable of making and breaking the rated current of  $13$  A  $\pm 0.4$  A at  $250$  V  $\pm 10$  V and the voltage drop across each switched pole, measured as above, shall not exceed 75 mV. The switch shall also pass the tests given in Clause 15, the test voltage being reduced by 25%.

## 18 Connection of flexible cords and cord anchorage

18.1 The entry of the flexible cord shall be between the current-carrying pins at the side of the plug opposite the earth pin. (See Figure 18.)



All linear dimensions are in millimetres

NOTE This drawing is not intended to govern design except as regards the dimensions and specific values shown.

**Figure 18 — Apparatus for flexing test**

Provision shall be made for the entry and effective clamping without bending of 2-core and 3-core flexible cords for rewirable plugs as given in IEC 60245-8 (clause 5), IEC 60245-8 (clause 2), IEC 60245-8 (clause 3), IEC 60245-4 (clause 4), IEC 60227-5 (clause 2), IEC 60227-5 (clause 5) and IEC 60227-5 (clause 6), having nominal conductor cross-sectional areas not exceeding 1.5 mm<sup>2</sup>.

For non-rewirable plugs provision shall be made for the entry and adequate retention of the flexible cord with which the plug is supplied, once assembled it shall not be possible in normal use to affect the integrity of the cord anchorage.

NOTE Flexible cords with a mean overall dimension less than those given in IEC 60227-5 (clause 2) (such as Decorative Light cords) are permitted, provided a suitable retention aid is fitted to the cord or cord anchorage so that it conforms to this standard.

The cord anchorage shall be such that the conductors are relieved from strain, including twisting, where they are connected to the terminals or terminations.

The cord anchorage shall contain the sheath. Cord anchorages shall either be of insulating material or if of metal shall be provided with an insulating lining fixed to the metal parts.

Methods such as tying the flexible cord into a knot or tying the ends with string or the like shall not be used.

**18.1.1** Compliance shall be checked by inspection and by the following tests.

- a) Rewirable plugs are fitted with a 2-core flexible cord as given in IEC 60227-5 (clause 2). The conductors are introduced into the terminals and the terminal screws tightened just sufficiently to prevent the conductors easily changing their positions. The cord anchorage is used in the normal way, the clamping screws, if any, being tightened to a torque of two-thirds of that given in Table 3. The assembly is then left untouched for a minimum of 24 h.

After this preparation, it shall not be possible to push the flexible cord into the plug to such an extent as to impair safety or so that the cord anchorage is loosened.

The flexible cord is then subjected 25 times to the pull given in Table 2. The pulls are applied without jerks in the most unfavourable position momentarily. Immediately afterwards, the flexible cord is subjected for  $60_{-0}^{+5}$  s to the appropriate torque shown in Table 2, at a minimum distance of 150 mm from the cord entry.

NOTE It is not intended that the dimension of 150 mm is maintained during the application of the test torque.

These tests are then repeated but with the plug fitted with a 3-core flexible cord having a nominal conductor cross-sectional area of 1.5 mm<sup>2</sup> as given in IEC 60227-5 (clause 6).

- b) For non-rewirable plugs the test is carried out with the cord with which it is supplied, using the appropriate load and torque as given in Table 2. The conductors of the flexible cord are severed at the point of termination prior to the test.

During this test the insulation of the flexible cord shall not be damaged.

A voltage of  $3750\text{ V} \pm 75\text{ V}$  is applied for  $60_{-0}^{+5}$  s between the conductors. Breakdown or flashover is considered to indicate damage to the flexible cord.

- c) After the tests given in a) and b) the flexible cord shall not have been displaced by more than 2 mm.

For the measurement of longitudinal displacement a mark is made on the cord whilst it is subjected to the load given in Table 2, at a point adjacent to the anchorage in the case of rewirable plugs, or a

close as practicable to the cord anchorage in the case of non-rewirable plugs, before starting the tests. After the test, the displacement of the mark on the flexible cord in relation to the cord anchorage is measured whilst the cord is again subjected to the load given in Table 2.

**18.2** Cord anchorages in rewirable plugs shall anchor the cord securely to the plug. The design shall ensure the following:

- a) the cord anchorage cannot be released from the outside without the use of a tool;
- b) it shall not be possible to touch cord anchorage screws, if any, with test probe B of EAS 370 when the plug is energized;
- c) the cord is not clamped by a metal part bearing directly on the flexible cord;
- d) at least one part of the anchorage is securely fixed to the plug;
- e) clamping the cord does not require the use of a special purpose tool;
- f) tightening the cord anchorage screws if any to the torque prescribed in Table 3 does not distort the engagement face of the plug to such an extent that compliance with 12.2 is affected;
- g) the cover may be correctly fitted without damage when the plug is wired with the largest specified flexible cord and all screws are tightened to the torque specified in Table 3.

**18.2.1** Compliance shall be checked by inspection and test.

**18.3** Screws which are used when clamping the flexible cord shall not serve to fix any other components unless either the plug is rendered manifestly incomplete if the component is omitted or is replaced in an incorrect position, or the component intended to be fixed cannot be removed without further use of a tool.

**18.3.1** Compliance shall be checked by inspection.

**18.4** Non-rewirable plugs shall be fitted with flexible cords complying with IEC 60227, IEC 60245, or with flexible cords complying with the requirements of the specification appropriate to the equipment to which they may be fitted. Connections shall be as given in Table 6.

**18.4.1** Compliance shall be checked by inspection and a continuity test.

**18.5** Non-rewirable plugs shall be so designed that the flexible cord is not subjected to excessive bending where it enters the plug.

**18.5.1** Compliance shall be checked by the following test using an apparatus similar to that shown in Figure 18. The plug is fixed to the oscillating member of the apparatus so that when this is vertical the axis of the flexible cord at the point of entry is vertical and passes through the axis of oscillation.

Samples with flat flexible cords are mounted so that the major axis of the section is parallel to the axis of oscillation.

The flexible cord is loaded with a weight as given in Table 2.

The distance between the point of entry to the plug and the axis of oscillation is adjusted so that the weight makes the minimum lateral movement as the oscillating member moves. A current appropriate to the flexible cord fitted, as given in Table 2, is passed through the line and neutral conductors, the voltage between them being  $250\text{ V} \pm 10\text{ V}$  a.c. If an earthing conductor is incorporated in the flexible cord it shall be connected at one end to the neutral conductor.

The oscillating member is moved backwards and forwards through an angle of  $45^\circ \pm 3^\circ$  on either side of the vertical, the number of flexings being 10 000 at a rate of  $60_{-0}^{+5}$  flexings per minute.

After 5000 flexings, plugs with cords of circular section are turned through  $90^\circ \pm 5^\circ$  about the cord entry centreline.

NOTE A flexing is one movement through  $90^\circ$ , either backwards or forwards.

During the test there shall be no interruptions of the current passing through the conductors and no short-circuit between them.

After the test the sample shall show no damage except that breakage of no more than 10 % of the total number of conductor strands in any core is ignored provided they have not pierced the insulation.

**18.6** The cord entry to rewirable plugs shall be so shaped as to prevent damage to the cord.

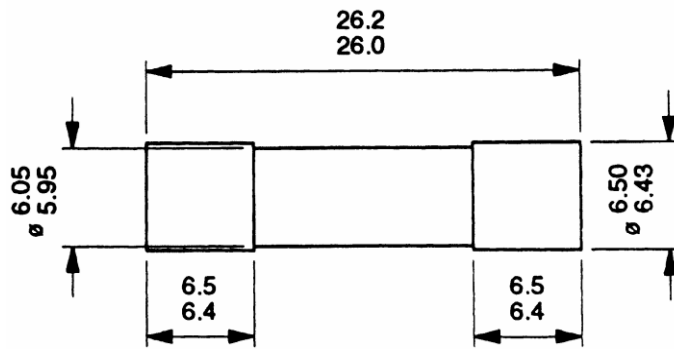
**18.6.1** Compliance shall be checked by inspection.

## **19 Mechanical strength**

**19.1** Plugs shall have adequate mechanical strength and be so constructed as to withstand such handling as may be expected in normal use.

**19.1.1** Compliance shall be checked by the tests given in 19.1.2 and 19.1.3.

**19.1.2** A solid link of stainless steel as shown in Figure 19 is inserted and withdrawn from the fuse clips of the plug 20 times in succession in a normal manner, not in misuse conditions, at a rate not exceeding 10 per minute. A standard fuse link complying with EAS 496 is then fitted and the appropriate mechanical strength test completed.



All dimensions are in millimetres

NOTE Finish: polished and sharp corners removed.

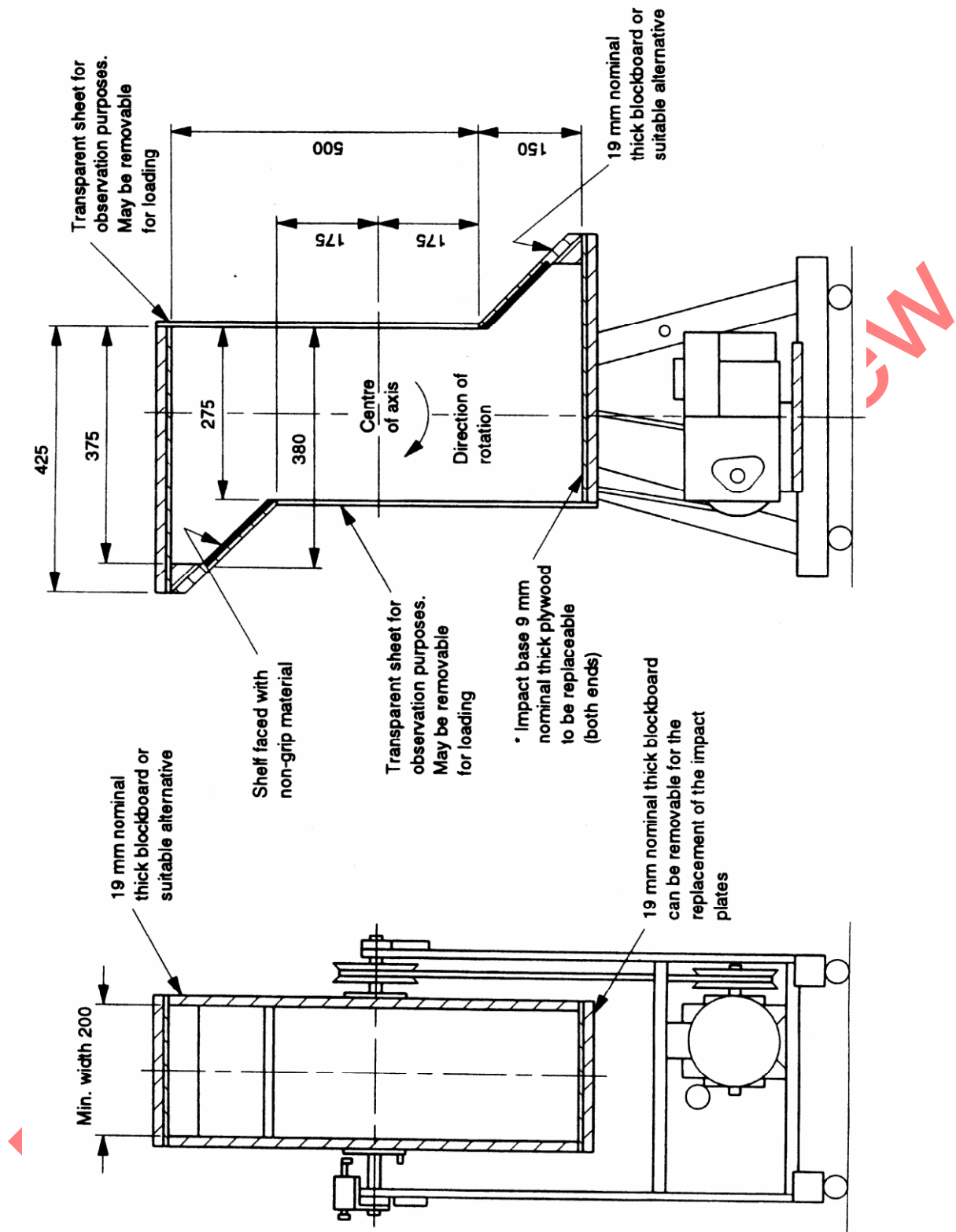
**Figure 19 — Solid link for test on fuse clips**

**19.1.3** Rewirable plugs are fitted with 3-core PVC 1.25 mm<sup>2</sup> flexible cord as given in IEC 60227-5 (clause 6), the terminals and cover screws being tightened with the torque given in Table 3. Non-rewirable plugs are tested as delivered.

Rewirable plugs with clamp type (screwless) terminals are fitted with 3-core PVC 1.25 mm<sup>2</sup> flexible cord as given in IEC 60227-5 (clause 6). The connection of the conductors shall be made in accordance with the manufacturer's instructions.

The flexible cords attached to plugs are cut to a length of 150 mm ± 5 mm measured from the nearest edge of the earthing pin, precoiled flexible cords being extended before measurement.

Plugs are tested in the tumbling barrel shown in Figure 20. The barrel is turned at a rate of approximately 5 r/min, (approximately 10 falls per minute).



All dimensions are in millimetres

\*9 mm nominal plywood having an impact face birch, 1.4 mm nominal thickness and of 5 ply construction.

NOTE 1 This drawing is not intended to govern design except as regards the dimensions and specific values shown.

NOTE 2 All dimensions subject to tolerance of  $\pm 3.0$  except for material thickness.



**Figure 20 — Tumbling barrel**

**Table 9— Connection of flexible cords**

Termination	Conductor insulation colour		
	3-core	2-core colour coded complying with IEC 60227/60245	Cords as given in IEC 60227-5 (clause 2)
Earthing	Green/yellow	No connection	No connection
Live	Brown	Brown	As supplied
Neutral	Blue	Blue	As supplied

Only one plug is tested at a time. The number of drops is as follows:

- a) rewirable plugs marked EAS 495-1: 1000;
- b) non-rewirable plugs marked EAS 495-1: 2500;
- c) plugs marked EAS 495-1/A: 5000;
- d) plugs marked EAS 495-1/EV: 5 000.

After the test the plug shall show no external damage which might affect the safety and no components shall have become detached. The earthing pin terminal screw if any shall remain tight to a torque not less than 70 % of the original tightening torque and current-carrying joints shall not have become loose and shall make satisfactory contact. The sample shall then be checked by inspection, and shall comply with the appropriate test described in Clause 16, and the gauge in accordance with Figure 5 when used in a manner as described in 12.2.1 but with a force not exceeding 20 N.

For the repeat test given in Clause 16, the attached flexible cord is retained without disturbing the terminal connections, but the conductor insulation and sheath are removed only as far as is necessary for the attachment of a 1 000 mm ± 50 mm length of flexible cord of the same type as that already attached to the plug, the connection being made by means of a connector having a current rating appropriate to that of the flexible cord.

## 20 Screws, current-carrying parts and connections

**20.1** Screwed connections, electrical and otherwise, shall withstand the mechanical stresses occurring in normal use. Screws directly transmitting electrical contact pressure shall screw into metal. Screws shall not be of metal which is soft and liable to creep.

Screws shall not be of insulating material if their replacement by a metal screw would affect the safety or performance requirements of the plug.

Contact pressure in electrical connections within the plug and between the plug and the cable or flexible cord connected to it shall not be transmitted through insulating material other than ceramic, pure mica or other material with characteristics no less suitable, unless there is sufficient resiliency in the metallic parts to compensate for any possible shrinkage or yielding of the insulating material.

NOTE The suitability of the material is considered in respect of the stability of the dimensions under all conditions of normal use especially in view of shrinking, ageing or cold flow of the insulating part.

**20.1.1** Compliance shall be checked by inspection and, for screws and nuts which are intended to be tightened during installation, or use, or during replacement of the fuse link by the following test. The screw is tightened and loosened as follows:

- a) 10 times for screws in engagement with a thread of insulating material, the screw being completely removed and replaced each time;
- b) five times for nuts and other screws.

When testing terminal screws and nuts a 1.5 mm<sup>2</sup> flexible conductor is placed in the terminal of plugs. The conductor is moved each time the screw is loosened. The test is made by means of a suitable test screwdriver, applying a torque as given in Table 3.

During the test no damage impairing the further use of the screwed connection shall occur.

NOTE It is essential that the shape of the blade of the test screwdriver suits the head of the screw being tested and that the screw is not tightened in jerks.

For clamp type (screwless) terminals compliance shall be checked by inspection and the test given in Clause 24.

**20.2** Thread-cutting and/or thread-forming screws shall not be used for the making of current-carrying or earth continuity connections.

Screws which make a mechanical connection between different parts of the plug shall be locked against loosening, if the connection carries current.

Rivets used for current-carrying or earth continuity connections shall be locked against loosening, if these connections are subject to torsion in normal use which is likely to loosen the connection.

**20.2.1** Compliance shall be checked by inspection and by manual test.

NOTE 1 Spring washers and the like may provide satisfactory locking.

NOTE 2 For rivets a non-circular shank or an appropriate notch may be sufficient.

**20.3** Current-carrying parts (except for line and neutral plug pins) and earthing plug pins shall be of brass (having a minimum content of 58% copper), copper, phosphor-bronze or other metal at least equivalent with regard to its conductivity, resistance to abrasion and resistance to corrosion. This requirement does not apply to screws, nuts, washers, clamping plates and similar parts of terminals, nor to parts of plugs used for earth continuity purposes. This requirement does not apply to screws, nuts, washers, clamping plates and similar parts of terminals.

**20.3.1** Compliance shall be checked by inspection and by the relevant tests described in 10.1, Clause 15 and Clause 22.

## **21 Resistance to heat**

**21.1** Plugs shall be resistant to heat.

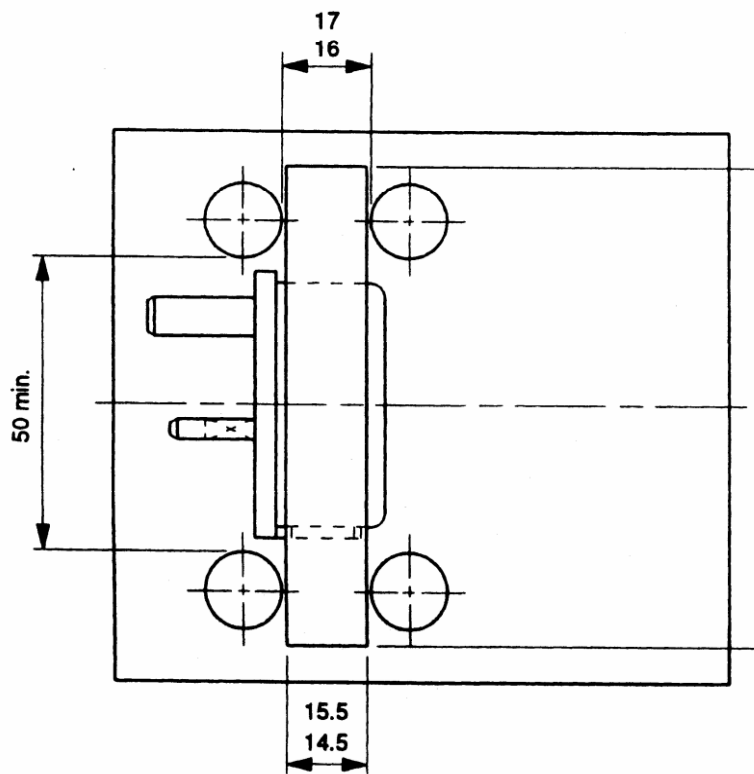
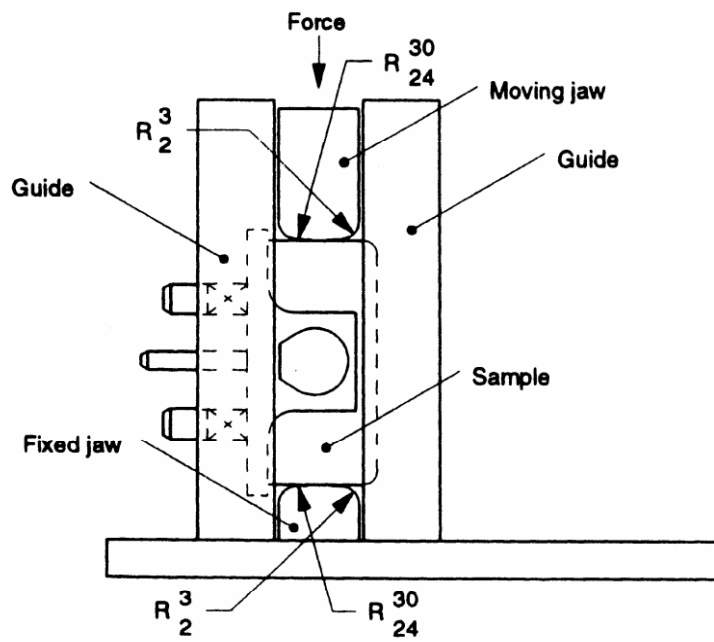
**21.1.1** Compliance shall be checked by the test described in 22.1.2 or 22.1.3.

**21.1.2** Plug samples are kept for  $60 \pm 5$  min in a heating cabinet maintained at  $70 \text{ °C} \pm 5 \text{ °C}$ . During the test they shall not undergo any change impairing their further use and the sealing compound shall not flow to such an extent that live parts are exposed.

NOTE A slight displacement of the sealing compound should be disregarded.

After the test the plug shall still satisfy the tests described in 9.2.1 and 14.1.3.

**21.1.3** Plugs with external parts of resilient material, e.g. thermoplastics, rubber, are subjected to a pressure test by means of an apparatus similar to that shown in Figure 23, the test being made in a heating cabinet at a temperature of  $70 \text{ °C} \pm 5 \text{ °C}$ .



All dimensions are in millimetres

NOTE This drawing is not intended to govern design except as regards the dimensions and specific values shown.

Figure 23 — Apparatus for pressure test

The plug is clamped between the jaws in such a way that these press against it in the area where it is gripped in normal use, the centreline of the jaws coinciding as nearly as possible with the centre of this area.

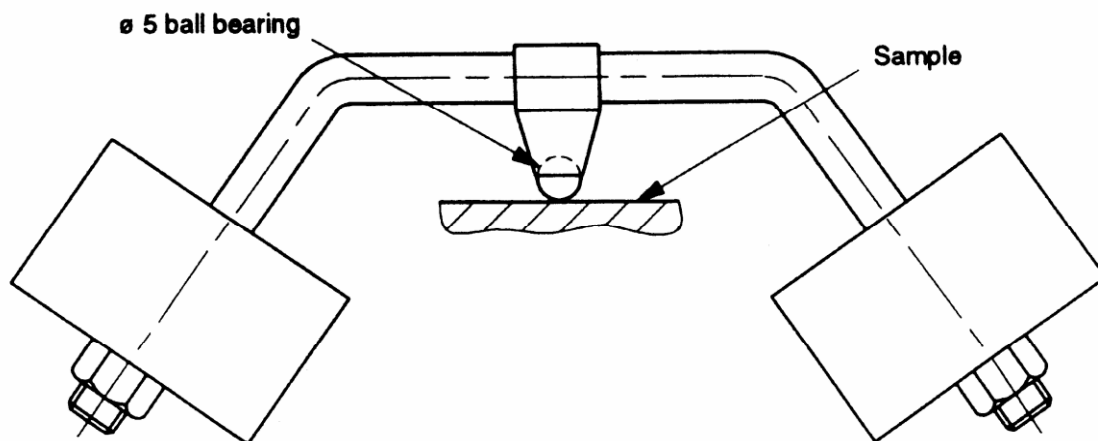
The force applied through and including the effect of the jaws is  $20^{0}_{-1}$  N.

After  $60^{+5}$  min the jaws are removed and the plugs shall satisfy the tests described in 14.1.2b) 1) and 14.1.3 and shall comply with the gauge given in Figure 5 when used in a manner as described in 12.2.1.

**21.2** Parts of insulating material shall be sufficiently: resistant to heat having particular regard for their location and function in the complete plug.

**21.2.1** Compliance shall be checked as follows:

- a) parts of ceramic material are deemed to comply without testing;
- b) external parts of plugs tested according to 22.1.3, are deemed to comply without further testing;
- c) all other parts of insulating material including ISOD if fitted shall be subjected to the ball pressure test using the apparatus shown in Figure 24.



All dimensions are in millimetres

NOTE This drawing is not intended to govern design except as regards the dimensions and specific values shown.

**Figure 24 — Apparatus for ball pressure test**

The test is made in a heating cabinet maintained at a temperature of  $75\text{ °C} \pm 5\text{ °C}$ .

The surface of the part to be tested is placed in the horizontal position and the apparatus shown in Figure 24 is placed on this surface such that a force of  $20\text{ ° N}$  is applied.

The underside of the part being tested is supported to withstand the test force and to minimize the risk of distortion.

The test load and the supporting means are placed within the heated cabinet for a sufficient time to ensure they have attained the stabilized testing temperature before the test commences.

The part to be tested is placed in the heating cabinet, for a period of at least 10 min, before the test load is applied.

After  $60 \pm 5$  min, the ball is removed from the sample which is then cooled down, by immersion for at least 10 s in water at approximately room temperature. The diameter of the impression caused by the ball is measured and shall not exceed 2 mm.

## 22 Resistance to abnormal heat, fire and tracking

### 22.1 General

Plugs shall be proof against abnormal heat, fire and tracking.

22.1.1 Compliance shall be checked by the test described in 22.2.

The tests shall not be made on parts of ceramic material or metal.

### 22.2 Glow-wire test

The test is performed according to Clause 4 to Clause 10 of IEC 60695-4.1 and at the test temperature given in Table 10.

**Table 10 — Application of glow-wire test**

Part	Temperature of glow-wire °C
Parts necessary to retain live parts in position including 1SOD	$750 \pm 10$
Parts not necessary to retain live parts in position (although they may be in contact with live parts)	$650 \pm 10$

NOTE 1 If the test specified is required to be made at more than one place on the same specimen, it is essential that care is taken to ensure that any deterioration caused by previous tests does not affect the result of the test to be made.

NOTE 2 Small parts unlikely to be subjected to abnormal heat and whose failure to pass these tests would not materially affect the safety of the plug are not subjected to this glow-wire test.

The glow-wire test is applied to ensure that an electrically heated test wire under defined test conditions

does not cause ignition of insulating parts or to ensure that a part of insulating material, which might be ignited by the heated test wire under defined conditions, has a limited time to burn without spreading fire by flame or burning parts or droplets falling down from the tested part onto a pinewood board covered with tissue paper.

The test specimen shall be either a complete plug or, if the test cannot be made on a complete plug, a suitable part may be cut from one for the purpose of the test.

The test shall be made on one specimen.

In case of doubt, the test shall be repeated on two further specimens. The test shall be made applying the glow-wire once.

The specimen shall be positioned during the test in the most unfavourable position of its intended use (with the surface tested in a vertical position).

The tip of the glow-wire shall be applied to the specified surface of the specimen taking into account the conditions of the intended use under which a heated or glowing element may come into contact with the specimen. The specimen shall be regarded as having passed the glow-wire test if:

- a) there is no visible flame and no sustained glowing; or
- b) flames and glowing at the specimen extinguish within 30 s after the removal of the glow-wire.

There shall be no ignition of the tissue paper nor scorching of the board.

### 22.3 Resistance to tracking

For plugs having an IP code higher than IPX0, parts of insulating material retaining live parts in position shall be of material resistant to tracking in accordance to 60884-1.

NOTE for plugs having an IP code higher than and including IPX0, parts of insulating material retaining live parts in position must be of material resistant to tracking:

Compliance is checked according to IEC 60112.

Ceramic parts are not tested. A flat surface of the part to be tested, if possible at least (15 × 15) mm, is placed in a horizontal position.

The material under test shall pass a proof-tracking index of 175 using test solution A with an interval between drops of (30 ± 5) s. No flashover or breakdown between electrodes shall occur before a total of 50 drops has fallen”

## 23 Resistance to excessive residual stresses and to rusting

**23.1** Press-formed or similar current-carrying parts of copper alloy containing less than 80 % of copper shall be resistant to failure in use due to stress corrosion.

**23.1.1** Compliance shall be checked by the following test.

The sample is degreased in a suitable alkaline degreasing solution or organic solvent, then immersed in an aqueous solution of mercurous nitrate containing 10 g of  $\text{Hg}_2(\text{NO}_3)_2$  and 10 ml of  $\text{HNO}_3$  (relative density 1.42) per litre of solution for  $30 \pm 1$  min at a temperature of  $20 \text{ }^\circ\text{C} \pm 5 \text{ }^\circ\text{C}$ .

WARNING: Attention is drawn to the fact that due precautions should be taken when using these liquids as they are toxic.

After the treatment the sample is washed in running water, any excess mercury wiped off, and the sample is immediately visually examined.

There shall be no cracks visible with normal or corrected vision without additional magnification.

**23.2** Ferrous parts, the rusting of which might cause the plug to become unsafe, shall be adequately protected against rusting.

**23.2.1** Compliance shall be checked by the following test.

The sample is degreased in a suitable alkaline degreasing solution or organic solvent, the parts are then immersed for  $10 \text{ min} \pm 0.5 \text{ min}$  in a 10 % solution of ammonium chloride in water at a temperature of  $20 \text{ }^\circ\text{C} \pm 5 \text{ }^\circ\text{C}$ .

Without drying but after shaking off any drops, the parts are placed for  $10 \text{ min} \pm 0.5 \text{ min}$  in a box containing air saturated with moisture at a temperature of  $20 \text{ }^\circ\text{C} \pm 5 \text{ }^\circ\text{C}$ . After the parts have been dried for at least 10 min in a heating cabinet at a temperature of  $100 \text{ }^\circ\text{C} \pm 5 \text{ }^\circ\text{C}$  their surfaces shall show no signs of rust. Traces of rust on sharp edges and any yellowish film removable by rubbing should be ignored.

For small helical springs and the like, and for parts exposed to abrasion, a layer of grease may provide sufficient protection against rusting. Such parts are only subjected to the test if there is doubt about the effectiveness of the grease film and the test should then be made without previous removal of the grease.



## 24 Electrical and thermal stress on clamp type (screwless) terminals

**24.1** Clamp type (screwless) terminals shall pass the electrical and thermal stresses occurring in use.

**24.1.1** Compliance shall be checked by the following tests.

The rewirable plug shall be wired and mounted for test in accordance with Clause 16. The ambient temperature condition specified in 5.1 shall apply. The plug shall be fitted with a calibrated link for the tests.

A test current of  $14\text{ A} \pm 0.4\text{ A}$  shall be passed through the plug and cord combination for a period of  $60\text{ min} \pm 2\text{ min}$ , after which the plug and cord combination shall be allowed to cool naturally for a period of  $60\text{ min} \pm 2\text{ min}$ . The test cycle of 60 min "on" and 60 min "off" shall be repeated a further 199 times. During the test, the calibrated link is replaced during the "off" period of every 48th consecutive cycle from the commencement of the test by a new link having characteristics known to be within calibration limits. The link is to be replaced without disturbing the terminals or conductor terminations in so far as this is possible.

At the conclusion of the final cycle and without disturbance, the plug shall be subjected to a temperature rise test in accordance with Clause 16. The measured temperature rise values shall not exceed those values given in Table 4.

After the test, inspection by normal or corrected vision, without additional magnification, shall show no changes evidently impairing further use, such as cracks, deformation, or the like.

## 25 Overload tests

**25.1** Plugs shall withstand overload currents, which could occur due to overload, without creating a risk of contact with live parts.

**25.1.1** Conformity shall be checked by the tests given in 26.1.2 to 26.1.4.

The test arrangement shall be as described in 16.1 except no thermocouples or pin spacers shall be used and the test conducted at any voltage between 12 V and 250 V.

Plugs shall be fitted with fuse links conforming to BS 1362:1973+A3. Rewirable plugs shall be fitted with 13 A rated fuse links. Non-rewirable plugs shall be fitted with the highest rating of fuse link specified in Table 2 for the cable fitted, alternatively the maximum rating of fuse link to be fitted as specified by the manufacturer, which shall be no lower than the rating of the plug. Also, plugs shall have the smallest cable cross-section which could be used with this rating of fuse link.

**NOTE** Owing to the high temperatures which can be expected during these tests, laboratories are advised to use separate test cabinets for these tests.

**25.1.2** The plug shall be subjected to a test current of 1.6 times the rating of the fuse for 60 min or until the fuse operates (if less than 60 min). Immediately afterwards, the checks specified in 27.1.4 shall be made.

**25.1.3** The plug shall be subjected to a test current of 1.9 times the rating of the fuse for 30 min or until the fuse operates (if less than 30 min). Immediately afterwards, the checks specified in 27.1.4 shall be made.

**25.1.4** Each plug shall be checked for conformity with 10.1, 12.6.1a), 12.6.1b) and 12.11.1, except that the tests shall be performed at ambient temperature. Deterioration which does not compromise access to live parts (e.g. discolouring, distortion) shall be deemed to be acceptable. Inspection shall not reveal any damage to the plug which would impair its safety within the requirements of this part of BS 1363.

## 26 Cyclic loading test

### 26.1 Requirement

“Plugs classified as being suitable for electric vehicle charging shall withstand the associated electrical and mechanical stresses.”

### 26.2 Testing

Conformity shall be checked by the following test.

The test arrangement shall be as described in 18.1. Rewirable plugs shall be fitted with 1 000 mm  $\pm$ 50 mm length 3-core PVC 1.25 mm<sup>2</sup> flexible cable as given in IEC 50525-2-11:2011 and the terminals shall be tightened with two thirds of the torque given in Table 6. Non-rewirable plugs shall be tested as delivered. Rewirable plugs with clamp type (screwless) terminals shall be fitted with 1 000 mm  $\pm$ 50 mm length 3-core PVC 1.25 mm<sup>2</sup> flexible cable conforming to IEC 50525-2-11:2011. The connection of the conductors shall be made in accordance with the manufacturer's instructions.

Draft for public review

Draft for public review

## **Annex A** (normative)

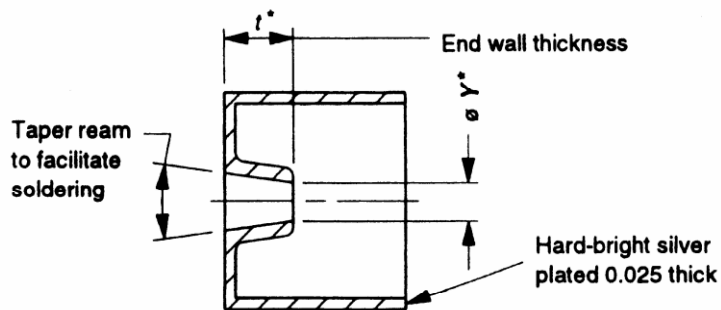
### **The construction and calibration of a calibrated link**

#### **A.1 Construction**

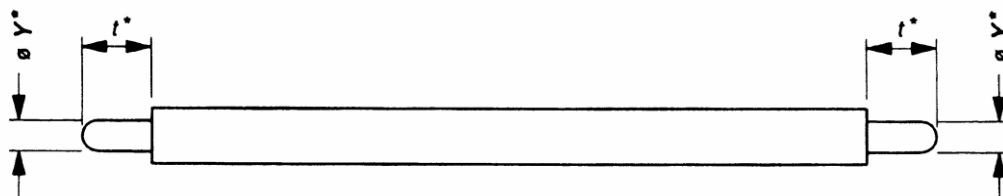
The calibrated link (see Figure 28) shall employ the following components used to produce fuses complying with EAS 496:

- a) ceramic body (as standard);
- b) filling (as standard);
- c) end caps (modified standard cap as shown in Figure 28a).

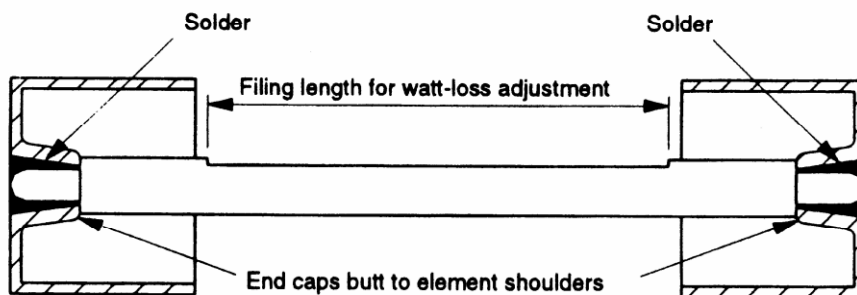
Draft for public review



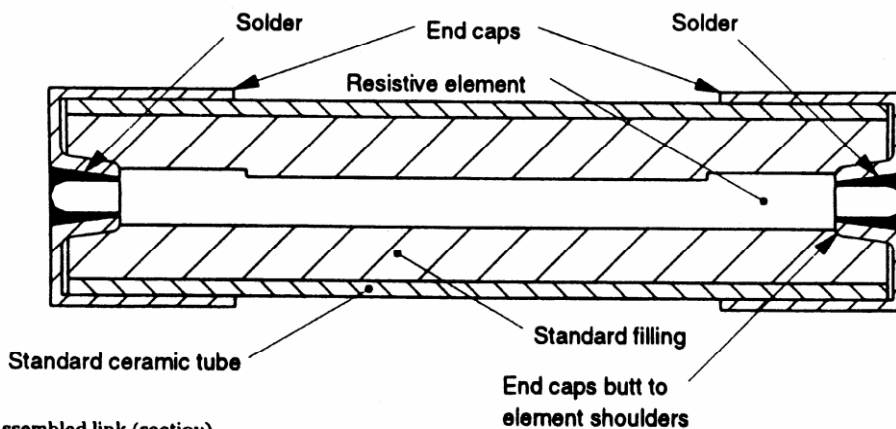
a) Modified standard end cap (section)



b) Resistive element Cu Ni



c) Assembly for calibration (section)



d) Assembled link (section)

\* See Annex A.

Figure 28 — Calibrated link

The resistive element shall be of copper nickel wire having a resistivity value between 44  $\mu\Omega\text{cm}$  and 49  $\mu\Omega\text{cm}$ . The overall length shall be  $25.4 \pm {}^{+0.8}_{-0.4}$  mm and the diameter such as to allow a small reduction in the cross-sectional area to adjust the watts loss to the required value. The ends are turned down so that the distance between the shoulders so formed shall be  $25.4 \pm {}^{+0.8}_{-0.4}$  mm less twice the end cap end wall thickness "t" [see Figure 28b)].

The resistive element shoulders shall be firmly butted to the inside faces of the end caps and soldered using a tin silver solder, grade 96S, as specified in BS 219. The assembly thus formed [see Figure 28c)] shall be checked for watts loss in accordance with A.2. Metal shall then be filed carefully from the resistive element over as long a length as is possible and the assembly rechecked until the desired watts loss is achieved.

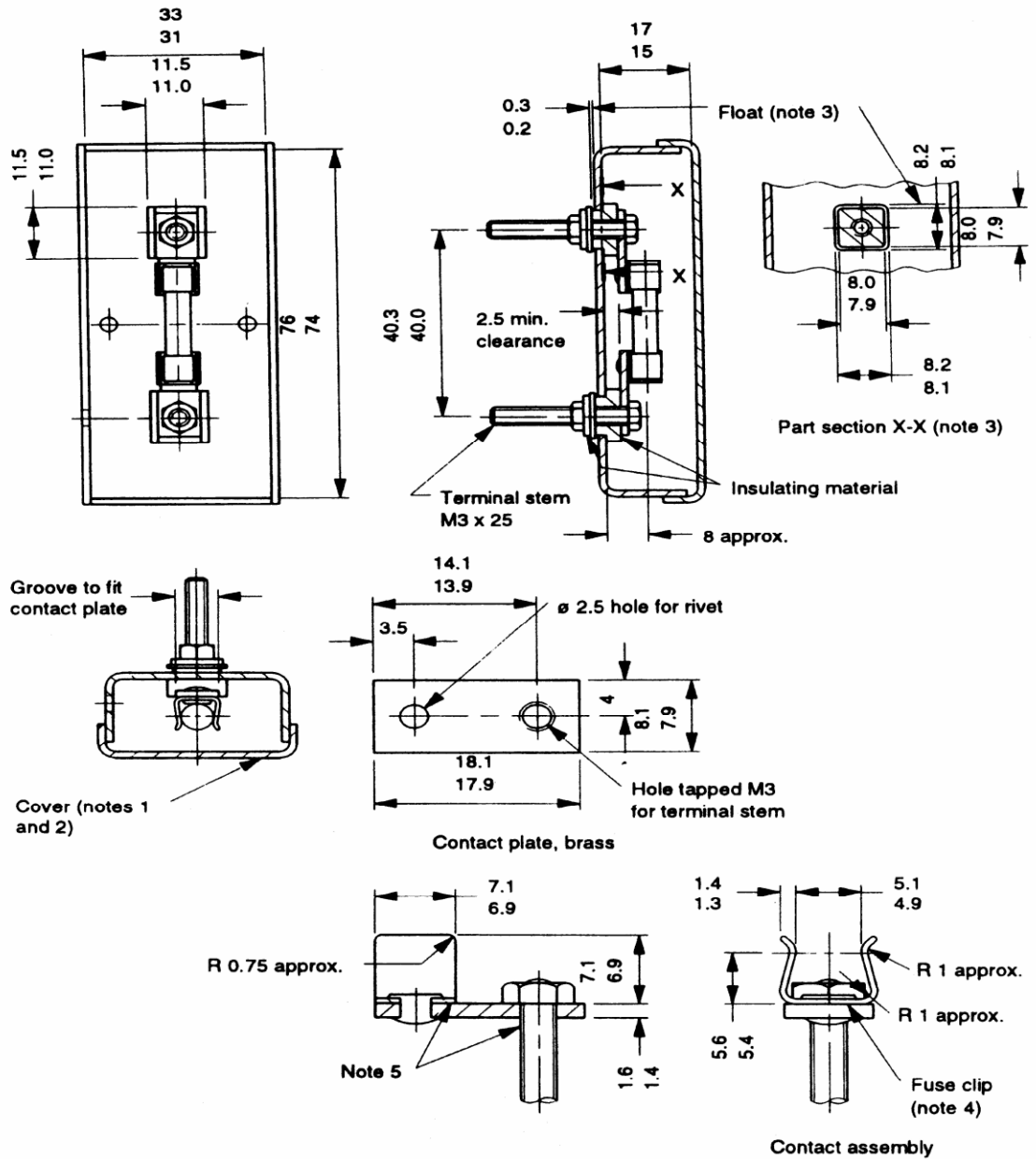
One end cap shall then be unsoldered, a standard ceramic body fitted, the cavity filled and the end cap resoldered in position making sure the shoulder of the element is butted to the inside face of the end cap; the ceramic body shall not interfere with this condition. [See Figure 28d).]

The watts loss shall be rechecked in accordance with A.2 and adjusted if necessary.

The resulting calibrated link shall be marked "NOT A FUSE" on the ceramic body and shall dimensionally be in accordance with EAS 496.

## A.2 Calibration

The calibration jig shown in Figure 29 is mounted horizontally approximately 25 mm above a wooden board by means of two ceramic pillars. A fine wire thermocouple is attached to the centre of each fuse contact clip, on the outside of the top edge, in such a way that it does not interfere with the contact area. The thermocouples are taken out of the box in slots cut in one end of the jig base, the width of the slots just being sufficient to accept the diameter of the thermocouples. The connection to the jig base shall be by means of PVC insulated single-core copper cables, 0.3 m  $\pm$  0.05 m in length and 2.5 mm<sup>2</sup> cross-section.



Draft

All dimensions are in millimetres NOTE 1 Box and cover made from 1.25 mm brass sheet, clean natural finish.

NOTE 2 Cover should be a push fit on box and should not be rigidly attached.

NOTE 3 The end float and clearance between the insulation and the box is to allow the contacts to be self-aligning.

NOTE 4 Fuse clip. Made from beryllium copper 0.45 mm thick and heat treated (170 HV minimum). Base clip to be flat; finish, silver plated. NOTE

5 Joints between clip, contact plate and terminal stem to be soldered.

**Figure 29 — Calibration of calibrated link**

The surroundings shall be free from draughts and the ambient air temperature, measured by a suitable thermometer or thermocouple at a horizontal distance of 1 m to 2 m from the standard link, shall be in the range of 15 °C to 25 °C. The standard link shall be inserted into the clips provided in the calibration jig and the cover replaced. A current of  $13 \text{ A} \pm 0.1 \text{ A}$  is then passed continuously through the calibrated link for  $60 \text{ min} \pm 5 \text{ min}$ . At the end of this time the temperatures measured by the thermocouples are noted, the cover of the jig is then removed and the millivolt drop between the end surfaces of the end caps of the calibrated link is measured whilst it is still carrying the test current. A.C. shall be used for the calibration.

The calibration is considered to be correct when the following apply:

- a) the product of the measured millivolt drop multiplied by the test current gives a result of  $1^{0-0.05} \text{ W}$
- b) the temperature difference between the fuse contact clips does not exceed 2 °C.

Draft for public review



## Annex B (normative)

### Measurement of clearances and creepage distances

The width X specified in Examples 1 to 11 apply to all examples as a function of the pollution degree as given in Table B.1.

Table B.1 — Minimum values of width X

Pollution degree	Minimum values of width X mm
1	0.25
2	1.0
3	1.5

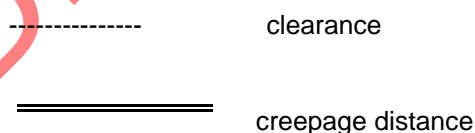
If the associated clearance is less than 3 mm, the minimum groove width may be reduced to one-third of this clearance.

The methods of measuring creepage distances and clearances are indicated in the following Examples 1 to 11. These cases do not differentiate between gaps and grooves or between types of insulation.

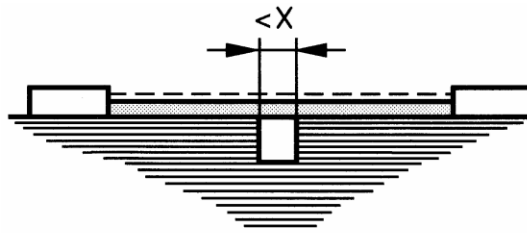
The following assumptions are made:

- any recess is assumed to be bridged with an insulating link having a length equal to the specified width X and being placed in the most unfavourable position (see Example 3);
- where the distance across a groove is equal to or larger than the specified width X, the creepage distance is measured along the contours of the groove (see Example 2);
- creepage distances and clearances measured between parts which can assume different positions in relation to each other, are measured when these parts are in their most unfavourable position.

Explanation for Examples 1 to 11



All dimensions are in millimetres

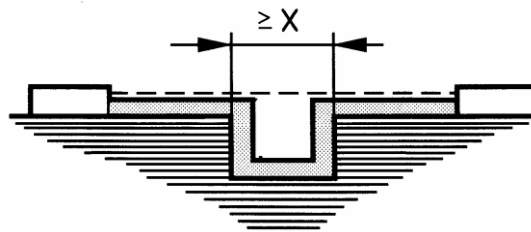


**Example 1**

Example 1

Condition: Path under consideration includes a parallel- or converging-sided groove of any depth with a width less than "X" mm.

Rule: Clear ante distance and clearance are measured directly across the groove as shown.

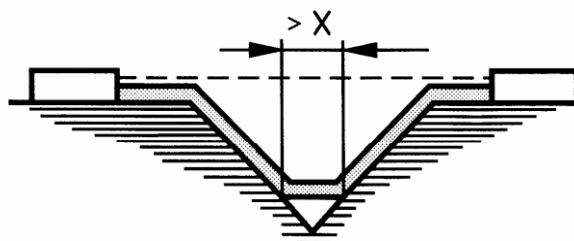


**Example 2**

Example 2

Condition: Path under consideration includes a parallel-sided groove of any depth and with a depth equal to or more than "X" mm.

Rule: Clearance is the "line of sight" distance. Creepage path follows the contour of the groove.

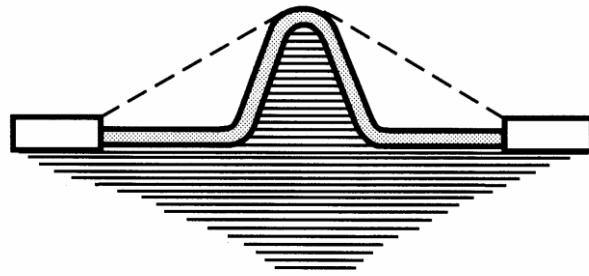


**Example 3**

Example 3

Condition: Path under consideration includes a V-shaped groove with a width greater than "X" mm.

Rule: Clearance is the "line of sight" distance. Creepage path follows the contour of the groove but "short-circuits" the bottom of the groove by an "X" mm link.

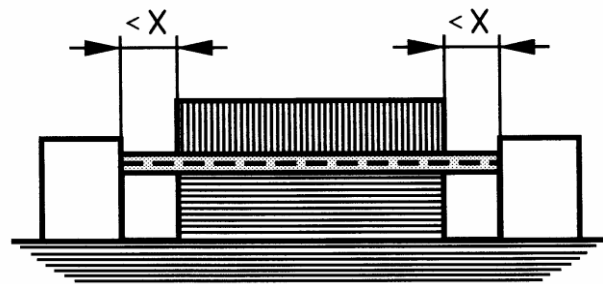


Example 4

Example 4

Condition: Path under consideration includes a rib.

Rule: Clearance is the shortest direct air path over the top of the rib. Creepage path follows the contour of the rib.

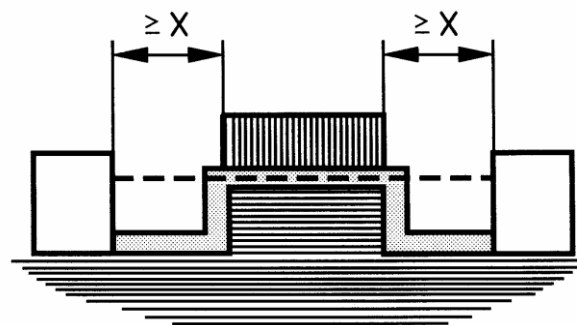


Example 5

Example 5

Condition: Path under consideration includes an uncemented joint with grooves less than "X" mm wide on each side.

Rule Creepage and clearance path is the "line of sight" distance shown.

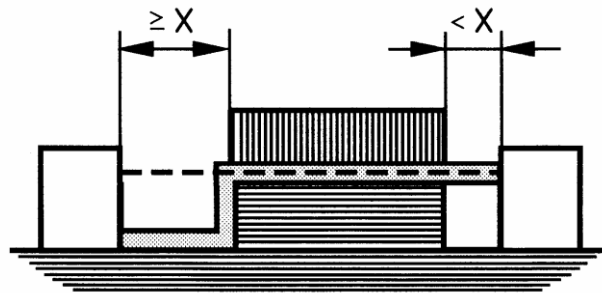


Example 6

Example 6

Condition: Path under consideration includes an uncemented joint with grooves equal to or more than "X" mm wide on each side

Rule Creepage and clearance path is the "line of sight" distance. Creepage follows the contour of the grooves.

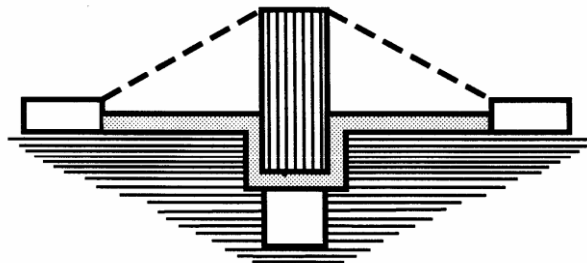


Example 7

Example 7

Condition: Path under consideration includes an uncemented joint with groove on one side less than "X" mm wide and the groove on the other side equal to or more than "X" mm wide.

Rule: Clearance and creepage paths are as shown.

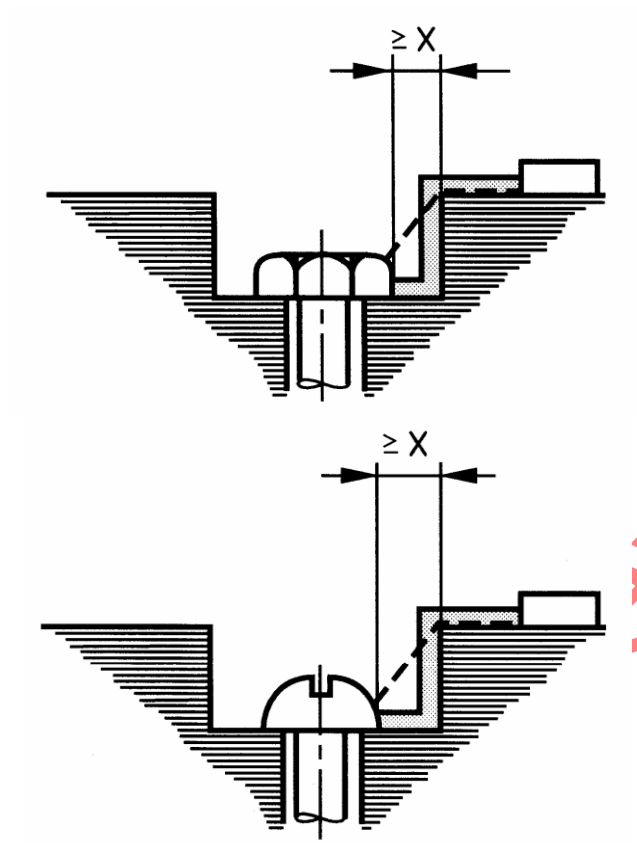


Example 8

Example 8

Condition: Creepage distance through uncemented joint is less than creepage distance over barrier.

Rule Clearance is the shortest direct air path over the top of the barrier.

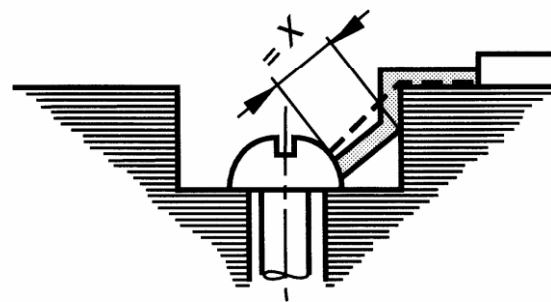
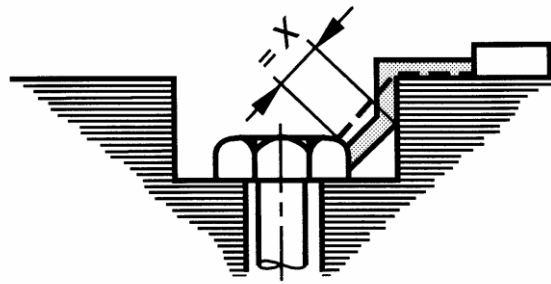


Example 9

Example 9

Condition: Gap between head of screw and wall of recess wide enough to be taken into account.

Rule: Clearance and creepage distance paths are shown.

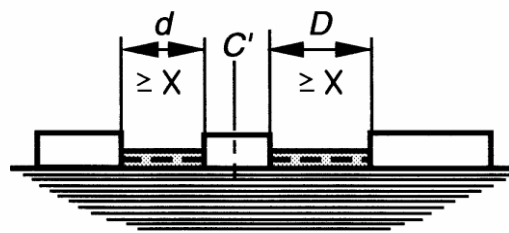


**Example 10**

Example 10

Gap between head of screw and wall of recess too narrow to be taken into account.

Measurement of creepage distance is from screw to wall when the distance is equal to "X" mm.



**Example 11**

Example 11

C = floating part

Clearance is distance  $d + d_2$

Creepage distance is also  $d + d_2$

## Annex C (normative)

### Determination of the Comparative Tracking Index (CTI) and Proof Tracking Index (PTI)

#### C.1 Construction

The CTI or PTI is determined in accordance with IEC 60112. For the purpose of this standard the following applies.

a) In Clause 3 of IEC 60112, Test specimen:

— the last sentence of the first paragraph does not apply;

— Note 2 and Note 3 also apply to the PTI;

— if the surface 15 mm × 15 mm cannot be obtained because of the small dimensions of the PT system then special samples made with the same manufacturing process may be used.

b) The test solution "A" described in 5.4 of IEC 60112 shall be used.

c) In Clause 6, Procedure, either CTI or PTI is determined.

— CTI is determined in accordance with 6.2 of IEC 60112.

— The proof tracking test of 6.3 of IEC 60112 is performed on 5 samples at the voltage referred to in 6.1, of IEC 60112 based on the appropriate creepage distance, material group, pollution degree conditions and on the rated voltage of this standard declared by the manufacturer.

## Annex D (normative)

### Relation between rated impulse withstand voltage, rated voltage and Overvoltage Category

**Table D.1 — Rated impulse withstand voltage for plugs energized directly from the low voltage mains**

Nominal voltage of the supply system based on IEC 600382  V	Voltage line to neutral derived from nominal voltages a.c. or d.c. up to and including  V	Rated impulse withstand voltage  V		
		Overvoltage Category		
		I	II	III
230/400	300	1500	2500	4000
NOTE 1 For more information concerning supply systems see IEC 60664-1.				
NOTE 2 For more information concerning Overvoltage Category see IEC 60664-1.				
NOTE 3 plugs fall into Overvoltage Category III, Parts of plugs where appropriate overvoltage reduction is provided fall into Overvoltage Category 1. Energy consuming equipment falls into Overvoltage Category 2.				
<sup>a</sup> The / mark indicates a four-wire three-phase distribution system. The lower value is the voltage line-to-neutral, while the higher value is the voltage line-to-line.				



## Annex E (normative)

### Pollution degree

The micro-environment determines the effect of pollution on the insulation. The macro-environment, however, has to be taken into account when considering the micro-environment.

Means may be provided to reduce pollution at the insulation under consideration by effective use of enclosures, encapsulation or hermetic sealing. Such means to reduce pollution may not be effective when the PT-system is subject to condensation or if, in normal operation, it generates pollutants itself.

Small clearances can be bridged completely by solid particles, dust and water and therefore minimum clearances are specified where pollution may be present in the micro-environment.

NOTE Pollution will become conductive in the presence of humidity. Pollution caused by contaminated water, soot, metal or carbon dust is inherently conductive.

#### Degrees of pollution in the micro-environment

For the purpose of evaluating creepage distances and clearances, the following three degrees of pollution in the micro-environment are established.

##### — Pollution degree 1

No pollution or only dry, non-conductive pollution occurs. The pollution has no influence.

##### — Pollution degree 2

Only non-conductive pollution occurs except that occasionally a temporary conductivity caused by condensation is to be expected.

##### — Pollution degree 3

Conductive pollution occurs or dry non-conductive pollution occurs which becomes Conductive due to condensation which is to be expected.

## Annex F (normative)

### Impulse voltage test

The purpose of this test is to verify that clearances will withstand specified transient overvoltage.

The impulse withstand voltage test is carried out with a voltage having a 1.2/50  $\mu$ S waveform as specified in IEC 60060-1 and is intended to simulate overvoltage of atmospheric origin. It also covers overvoltages due to switching of low-voltage equipment.

The test shall be conducted for a minimum of three impulses of each polarity with an interval of at least 1 s between pulses.

NOTE 1 The output impedance of the impulse generator should be not higher than 500  $\Omega$ .

The impulse shall have the following characteristics:

— the waveform 1.2/50  $\mu$ S for the no load voltage with amplitudes equal to the values given in Table F.1;

— the waveform 8/20  $\mu$ S for an appropriate surge current.

NOTE 2 If the sample is provided with surge suppression, the impulse voltage wave may be chopped but the sample should be in a condition to operate normally again after the test. If the sample is not provided with surge suppression and it withstands the impulse voltage, the waveform will not be noticeably distorted.

**Table F.1 — Test voltages for verifying clearances at sea level**

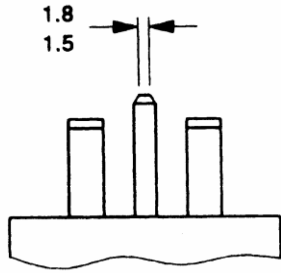
Rated impulse withstand voltage kV	Impulse test voltage at sea level kV
0.33	0.35
0.5	0.55
0.8	0.91
1.5	1.75
2.5	2.95
4.0	4.8
6.0	7.3

NOTE 1 When testing clearances, associated solid insulation will be subjected to the test voltage. As the impulse test voltage of Table F.1 is increased with respect to the rated impulse withstand voltage, solid insulation will have to be designed accordingly.

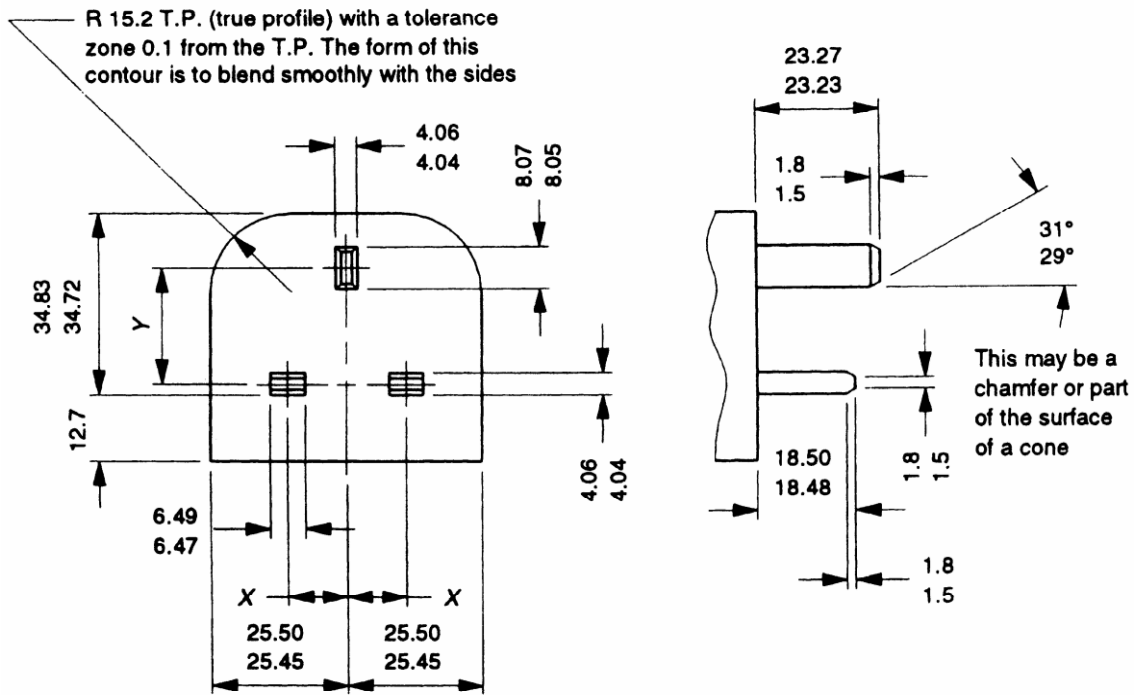
This results in an increased impulse withstand capability of the solid insulation.

NOTE2 The test maybe made with the pressure adjusted to the value corresponding to the altitude of 2 000 m (80 kPa) and 20 °C with the test voltage corresponding to the rated impulse withstand voltage. In this case, solid insulation will not be subjected to the same withstand requirements as when testing at sea level.

NOTE 3 Explanations concerning the influencing factors (air pressure, altitude, temperature humidity) with respect to electric strength of clearances are given in IEC 60664-1.



		Dimension X	Dimension Y
Pins at max. centres	Min.	11.19	22.37
	Max.	11.21	22.39
Pins at min. centres	Min.	11.01	22.07
	Max.	11.03	22.09



**General view**

All linear dimensions are in millimetres

NOTE 1 All sharp edges of the shaped portion of all the pins of the socket outlet gauge are slightly rounded.

NOTE 2 The surfaces of the gauge in which the pins are mounted are flat to within 0.025 mm.

**Figure 11 — GO gauge for socket-outlet [for use when checking Figure 17b)]**

## **Annex G** (normative)

### **Requirements for incorporated electronic components**

#### **G.1 General**

Incorporated electronic components shall conform to their relevant standard(s).

NOTE Conformity with a standard for the relevant component does not necessarily ensure conformity with this standard.

#### **G.2 Electromagnetic compatibility (EMC) requirements**

Plugs incorporating electronic circuits, apart from inherently benign components, shall conform to the immunity and emission requirements of the relevant product or generic IEC 61000 standard series. In particular:

- a) IEC 61000-6-1; and b) IEC 61000-6-3.

NOTE Inherently benign components do not normally generate electromagnetic disturbances. Examples of inherently benign components are LED indicators, diodes, resistors, varistors, capacitors, surge suppressors and inductors. This list is not exhaustive.

No additional EMC immunity or emission tests are required if the following conditions are fulfilled:

- 1) the incorporated devices and components conform to the requirements for EMC as required by the relevant product or generic EMC standard; and
- 2) the internal installation and wiring is carried out in accordance with the devices and component manufacturer's instructions (arrangement with regard to mutual influences, cable, screening, earthing etc.).

In all other cases the EMC requirements are to be verified by tests, in particular as per IEC 61000-6-1 and IEC 61000-6-3.

#### **G.3 Surge protective devices (SPDs)**

##### **G.3.1 General**

Surge protective devices incorporated in EAS 495-1:2023 plugs shall conform to the requirements in A.3.2.

NOTE 1 The use of SPDs, variously known as voltage dependent resistors (VDRs), gas discharge tubes, avalanche breakdown diodes and similar devices, might have particular applications and restrictions in their use in many safety standards. Restrictions are applied where the disconnection of earth is possible as a single fault condition (applicable, for example, to domestic pluggable equipment).

The slow deterioration of surge protection devices with time might result in an increase in leakage current. This can cause a permanent and continuously increasing temperature stress, which can cause the component to burn or burst, and thus SPDs/VDRs are regarded as potential safety hazards.

NOTE 2 This annex does not cover comprehensive type testing which is specified in the IEC 61643 series.

### G.3.2 Requirements

The following types of SPD of the appropriate category shall be considered acceptable:

- a) metal oxide varistors conforming to IEC 61643-1;
- b) gas discharge tubes conforming to IEC 61643-1;
- c) avalanche breakdown diodes conforming to IEC 61643-1.

VDRs conforming to IEC 61051-2 and having the following characteristics shall be considered acceptable:

- 1) Preferred climatic categories:

Lower category temperature  $-10\text{ }^{\circ}\text{C}$  Upper category temperature  $+85\text{ }^{\circ}\text{C}$

Duration of damp heat, steady state test: 21 days.

- 2) Maximum continuous voltage:

The maximum continuous a.c. voltage shall be at least 315 V.

- 3) Pulse current (IEC 61051-2:2021, Table 4, Group 1)

Combination pulses of 6 kV/3 kA of alternating polarity are used, having a pulse shape of

1.2/50  $\mu\text{s}$  for voltage and 8/20  $\mu\text{s}$  for current.

In addition to the performance requirements of IEC 61051-2:2021, Table 4, Group 1, the clamping voltage after the test shall not have changed by more than 10%, when measured with the manufacturer's specified current.

### G.3.3 Conformity

Conformity to A.3.2 shall be checked by inspection of component conformity evidence.

### G.3.4 Incorporation of VDRs in plugs

A circuit interrupting device having adequate breaking capacity shall be connected in series with the

VDR to provide protection against:

- a) temporary overvoltages above the maximum continuous voltage;
- b) thermal overload due to leakage current within the VDR;
- c) burning and bursting of the VDR in the event of a short-circuit fault. The following methods of VDR incorporation are permitted:
  - 1) Between L and N

A VDR is permitted between line and neutral provided that it is protected by the

BS 1362:1973+A3 fuse in the plug.

- 2) Between L and E

A VDR is permitted between line and protective earth provided it is protected by the

BS 1362:1973+A3 fuse in the plug and is connected in series with a spark gap/gas discharge tube meeting the requirements for basic insulation.

#### **G.3.5** Conformity

Conformity to A.3.4 shall be checked by inspection.

#### **G.4** Electronic switches

##### **G.4.1** General

Electronic switches incorporated in plugs shall conform to IEC 60669-2-1.

##### **G.4.2** Conformity

Conformity to G.4.1 shall be checked by inspection of conformity evidence or by test.

Draft for public review

## Bibliography

- [1] ISO #####-#, *General title — Part #: Title of part*
- [2] ISO #####-##:20##, *General title — Part ##: Title of part*

Draft for public review

Draft for public review