
**Mortar for masonry — Test methods —
Part 6: Determination of adhesive strength
of hardened rendering and plastering
mortars on substrates**

ICS 91.080.30

Reference number

DRS 211-6: 2021

© RSB 2021

In order to match with technological development and to keep continuous progress in industries, standards are subject to periodic review. Users shall ascertain that they are in possession of the latest edition

© RSB 2021

All rights reserved. Unless otherwise specified, no part of this publication may be reproduced or utilized in any form or by any means, electronic or mechanical, including photocopying and microfilm, without prior written permission from RSB.

Requests for permission to reproduce this document should be addressed to:

Rwanda Standards Board

P.O Box 7099 Kigali-Rwanda

KK 15 Rd, 49

Tel. +250 788303492

Toll Free: 3250

E-mail: info@rsb.gov.rw

Website: www.rsb.gov.rw

ePortal: www.portal.rsb.gov.rw

Contents

Page

Foreword	iv
1 Scope	1
2 Normative references	1
3 Terms and definitions	1
4 Principle	1
5 Apparatus	1
6 Sampling and sample preparation	3
6.1 General	3
6.2 Laboratory prepared mortars	3
6.3 Ready to use mortars	Error! Bookmark not defined.
7 Preparation and storage of test specimens	3
7.1 Substrate	3
7.2 Application	4
7.3 Test areas	4
7.3.1 General	4
7.3.2 Fresh mortar	4
7.3.3 Hardened mortars	4
7.4 Storage and curing conditions	4
8 Procedures	4
9 Expression of results - Adhesive strength	5
Key 6	
10 Test report	7

Foreword

Rwanda Standards are prepared by Technical Committees and approved by Rwanda Standards Board (RSB) Board of Directors in accordance with the procedures of RSB, in compliance with Annex 3 of the WTO/TBT agreement on the preparation, adoption and application of standards.

The main task of technical committees is to prepare national standards. Final Draft Rwanda Standards adopted by technical committees are ratified by members of RSB Board of Directors for publication and gazettment as Rwanda Standards.

DRS 211-6 was prepared by Technical Committee RSB/TC 009, *Civil engineering and building materials*.

In the preparation of this standard, reference was made to the following standards:

- 1) BS EN 772-11, *Methods of test for masonry units — Part 11: Determination of water absorption of clay, aggregate concrete, autoclaved aerated concrete, manufactured stone and natural stone masonry units due to capillary action*
- 2) BS EN 998-1:2016, *Specification for mortar for masonry – Part 1: Rendering and plastering mortar with inorganic binding agents*
- 3) BS EN 998-2: 2016, *Specification for mortar for masonry — Masonry mortar*
- 4) BS EN 1015-2:1999+A1: 2006, *Methods of test for mortar for masonry – Part 2: Bulk sampling of mortars and preparation of test mortars*
- 5) BS EN 1015-12:2016, *Methods of test for mortar for masonry - Determination of adhesive strength of hardened rendering and plastering mortars on substrates*

The assistance derived from the above source is hereby acknowledged with thanks.

This second edition cancels and replaces the first edition (RS 211-6: 2010), clauses 5, 7, 8, of which has been technically revised.

DRS 211 consists of the following parts, under the general title *Mortar for masonry — Test method*:

- *Part 1: Determination of particle size distribution (by sieve analysis)*
- *Part 2: Bulk sampling of mortars and preparation of test mortars*
- *Part 3: Determination of consistence of fresh mortar (by flow table)*
- *Part 4: Determination of consistence of fresh mortar (by plunger penetration)*
- *Part 5: Determination of flexural and compressive strength of hardened mortar*
- *Part 6: Determination of adhesive strength of hardened rendering and plastering mortars on substrates*

— Part 7: Determination of water absorption coefficient due to capillary action of hardened mortar

Committee membership

The following organizations were represented on the Technical Committee on *Civil engineering and building materials* (RBS/TC 009) in the preparation of this standard.

Advanced Construction Technology Services (ACTS) - Rwanda

CIMERWA

City of Kigali

Green Pact Africa

Rwanda Inspectorate, Competition and Consumer Protection Authority (RICA)

RTDA

Standard Geotechnical Engineering and Construction Ltd (STAGECO Ltd)

SJEC Ltd

UR-CST

Rwanda Standards Board (RSB) – Secretariat

Copy for public review

Mortar for masonry — Test methods — Part 6: Determination of adhesive strength hardened rendering and plastering mortars on substrates

1 Scope

This Draft Rwanda Standard provides a method for the determination of the adhesive strength between rendering plastering mortars and a substrate.

2 Normative references

The following documents are referred to in the text in such a way that some or all of their content constitutes requirements of this document. For dated references, only the edition cited applies. For undated references, the latest edition of the referenced document (including any amendments) applies.

DRS 211-2, *Mortar for masonry — Test methods — Part 2: Bulk sampling of mortars and preparation of test mortars*

DRS 211-3, *Mortar for masonry — Test methods — Part 3: Determination of consistence of fresh mortar (by flow table)*

CD 211-5, *Mortar for masonry — Test methods — Part 5: Determination of flexural and compressive strength of hardened mortar.*

3 Terms and definitions

No terms and definitions are listed in this document.

4 Principle

The adhesive strength is determined as the maximum tensile stress applied by a direct load perpendicular to the surface of the rendering or plastering mortar on a substrate. The tensile load is applied by means of a defined pull-head plate glued to the test area of the mortar surface. The adhesive strength obtained is the quotient between the failure load and the test area.

5 Apparatus

5.1 Truncated conical rings, (see Figure 1) made of stainless steel or brass, with internal diameter of 50 mm \pm 0.1 mm and 25 mm \pm 0.5 mm in height. The minimum thickness of the mould wall shall be 5.0 mm at the top. The external diameter at the base shall be 51 mm \pm 0.1 mm.

5.2 Circular pull-head plates, made of metal, with diameter of 50 mm + 0.1 mm and minimum thickness 10 mm, and with central fitting for connection to the direct pull tensile force apparatus.

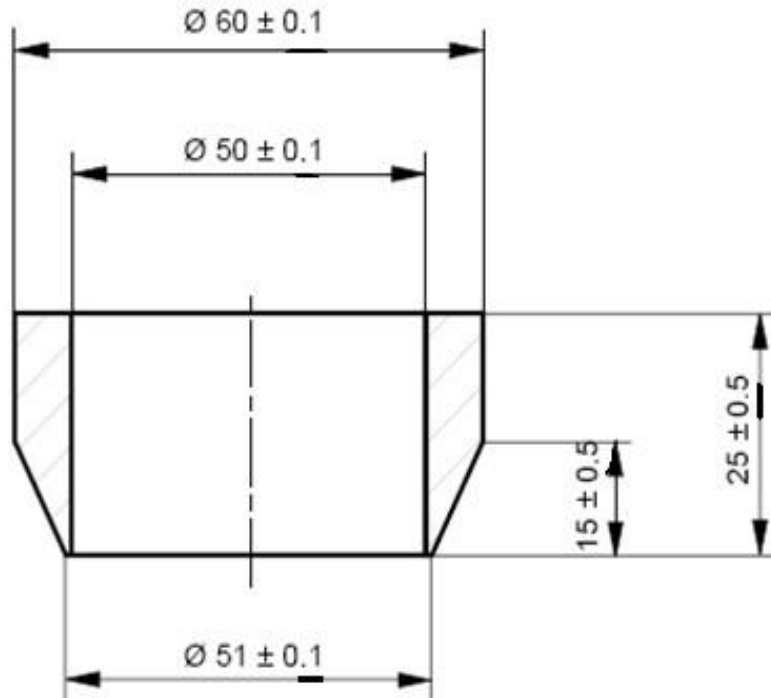


Figure 1 — Sharp-edged, truncated conical ring

5.3 **Adhesive**, based on resin, e.g. epoxy resin or methyl methacrylate resin.

5.4 **Core drilling machine**, with core drill of nominally 50 mm internal diameter, suitable to cut core samples from hardened mortars and substrates.

5.5 **Testing machine**, for direct pull tensile force test and with suitable capacity and sensitivity for the test as specified in clause 9. It shall be capable of applying the load to the pull-head plate through a suitable fitting that excludes any bending forces. The machine shall comply with the requirements in Table 1.

5.6 **Storage chamber**, capable of maintaining a temperature of 20 °C (+3/-2 °C) and at a relative humidity of 65 % ± 5%.

Table 1 — Requirements for testing machine

Maximum permissible repeatability of forces as percentage of nominal force %	Maximum permissible mean error of forces as percentage of nominal force %	Maximum permissible error of zero of force of maximum force of range %
2.0	± 2.0	± 0.4

6 Sampling and sample preparation

6.1 General

The fresh mortar for this test shall have minimum volume of 1.5 L or at least 1.5 times the quantity needed to perform the test, whichever is the greater, and shall either be obtained by reduction of the bulk test sample using a sample divider or by quartering or by preparation from water and the other constituents in the laboratory. Two test samples shall be prepared.

6.2 Laboratory prepared mortars

6.2.1 The length of mixing period shall be measured from the moment all the constituents are introduced into the mixer.

6.2.2 The mortar shall be brought to a defined flow value as specified in DRS 211-2 determined in accordance with DRS 211-3 and reported. The test procedure shall not start until at least 10 min after completion of mixing and shall be concluded within the specified workable life of the mortar (preferably within 30min after completion of mixing.), unless otherwise instructed by the manufacturer.

6.3 Mortars, other than laboratory prepared mortars

Ready to use mortars (plant – made wet mortars which are retarded), and pre batched air-lime/sand wet mortars when not gauged with hydraulic binders, shall be used for specimen preparation within their specified workable life. Before testing, the batch shall be gently stirred by hand using a trowel or palette knife for 5 - 10 sec to counteract any false setting, but without any additional mixing of the batch. The flow value of the mortar in the bulk test sample shall be determined in accordance with DRS 211-3 as reported.

7 Preparation and storage of test specimens

7.1 Substrate

7.1.1 For rendering or plastering systems manufactured for a specific background, i.e. clay or calcium silicate masonry units, concrete masonry unit, panels or cast in-situ concrete, etc., these materials, in an airdried condition, should be used as test substrates. The water absorption due to capillary action of the units used in the substrate shall be recorded.

7.1.2 Where no specific background is prescribed, rectangular concrete panels shall be used as substrate, with dimensions not less than 550 mm x 150 mm and 50 mm in thickness. The concrete shall be mixed with a water/cement ratio of 0.55 and using normal graded aggregates with maximum particle size of one third of the concrete panel thickness.

7.1.3 The upper surface of the moulded substrate shall be levelled and wood-floated to achieve a suitable surface. Within a period of 6 h - 24 h lightly brush the surface.

7.1.4 The concrete panels shall have an age of not less than 28 days when applying the plastering or rendering system, the panels being cured under standardized conditions as described in RS 211-5.

NOTE Concrete panels as a substrate will normally give conservative adhesive strength values.

7.2 Application

The fresh mortar mix shall be applied to the prescribed substrate according to the manufacturer's recommendations and the intended use. The substrate shall be kept vertical during application. Unless otherwise specified the total thickness of the mortar layer shall be $10 \text{ mm} \pm 1 \text{ mm}$.

7.3 Test areas

7.3.1 General

Circular test areas of approximately 50 mm in diameter shall be cut through the mortar layer, either in the fresh mortar according to 7.3.2 or in the hardened mortar according to 7.3.3. The diameter of the circular test area shall be recorded for each specimen. Five test specimens shall be provided.

7.3.2 Fresh mortar

7.3.2.1 After application and the initial setting of the mortar layer, the truncated conical rings (5.1), cleaned and lubricated with a thin layer of mineral oil, shall be pressed with their sharp edge, slightly rotating, through the fresh mortar layer until full contact with the substrate is reached. The minimum distance between the rings and the free edges of the rendered substrate, and the free distance between the individual rings shall be 50 mm.

7.3.2.2 The rings shall be carefully removed, still slightly rotating, when the substrate is reached. If it is obvious that the adhesion of any of the cut specimens is disturbed during this preparation, another test specimen shall be cut. The specimen shall then be stored as given in 7.4.

7.3.3 Hardened mortars

After curing of the rendering or plastering mortar, test specimens shall be cut using a core drilling machine (see 5.4). The core shall be cut to a depth of approximately 2 mm into the substrate. Damaged specimens shall be rejected.

7.4 Storage and curing conditions

When the mortar is sufficiently hard, the rendered specimens shall be enclosed within a sealed, air-tight polyethylene bag and at a temperature of $20 \text{ }^\circ\text{C} (+3/-2 \text{ }^\circ\text{C})$ for 7 d. The specimens shall subsequently be removed and stored in air (5.6) at a constant temperature of $20 \text{ }^\circ\text{C} (+3/-2 \text{ }^\circ\text{C})$ and at a relative humidity of $65 \text{ } \pm 5 \%$ for a further 21 d.

8 Procedures

8.1 Glue the pull-heads with the adhesive centrally on the test areas, preventing any excess adhesive from bridging the cut around the test areas.

8.2 Test the specimens at an age of 28 days immediately after being removed from the storing atmosphere.

8.3 Using the testing machine (5.5) apply the tensile load perpendicular to the test area through the pull head plates (5.2). Apply the load without shock and at a uniform rate. Use a rate such that the stress increases within the range of 0.003 N/mm².s to 0.100 N/mm².s) according to the expected adhesive strength and so that failure occurs between 20 s and 60 s (see Table 2). Record the failure load. Reject any test where the mode of failure is fracture at the adhesive layer between the pull-head plate and the mortar.

Table 2 — Loading rate

Expected adhesive strength (N/mm ²)	Loading rate (N/mm ² s)
< 0.2	0.003 - 0.010
0.2 - < 0.5	0.011 - 0.025
0.5 - 1.0	0.026 - 0.050
> 1.0	0.050 - 0.100

9 Expression of results - Adhesive strength

9.1 Calculate the individual adhesive strengths from the following formula to the nearest 0.05 N/mm².

$$f_u = \frac{F_u}{A}$$

where

f_u is the adhesive strength, (N/mm²);

F_u is the failure load, (N); and

A is the test area of cylindrical specimen, (mm²).

9.2 Calculate the adhesive strength as the mean value from the individual values of the 5 specimens to the nearest 0.1 N/mm².

9.3 Possible fracture patterns leading to valid results are given in Figures 2 to 4 inclusive. Where fracture patterns occur as shown in Figures 3 and 4, i.e. where there is no failure at the mortar/substrate interface, results shall be considered as lower bound values. These values shall be valid for calculation of the mean value of adhesive strength.

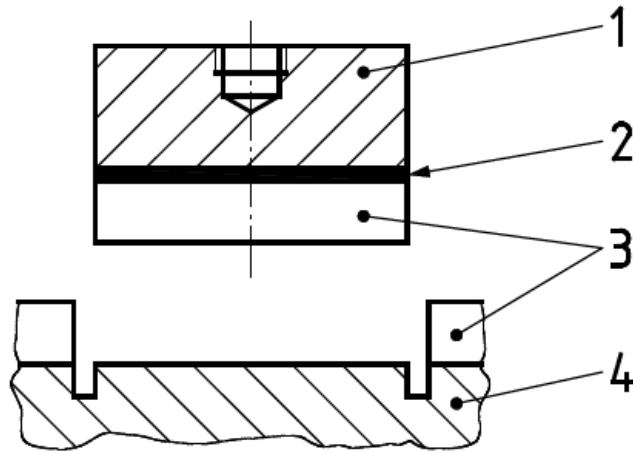


Figure 2 — Fracture pattern a — Adhesion fracture — Fracture at the interface between mortar and substrate. Test value equals the adhesive strength

Key

- 1 Pull-head plate
- 2 Adhesive layer
- 3 Mortar
- 4 Substrate

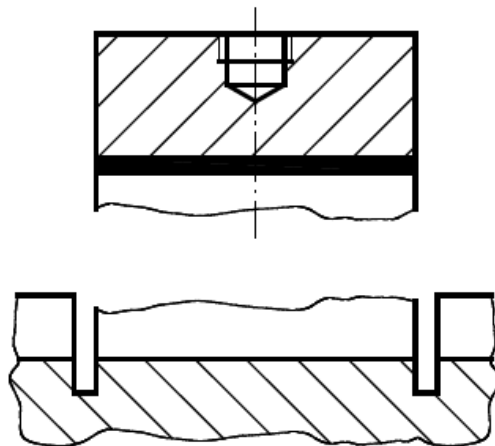


Figure 3 — Fracture pattern b — Cohesion fracture — Fracture in the mortar itself. The adhesive strength is greater than the test value

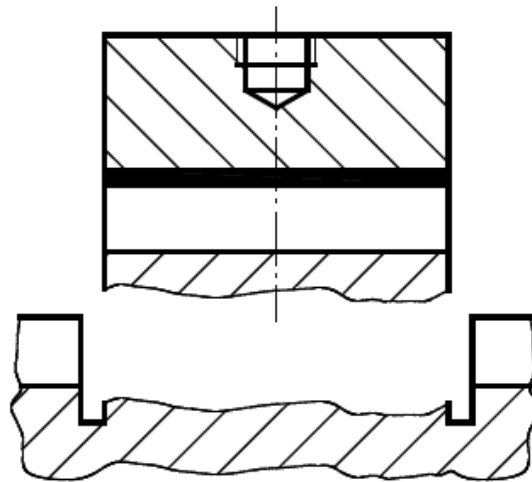


Figure 4 — Fracture pattern c — Cohesion fracture — Fracture in the substrate material. The adhesive strength is greater than the test value

10 Test report

The test report shall provide the following information:

- a) the place, date and time of taking the bulk test sample;
- b) the method used for taking the bulk test sample (if known) and the name of the organization that took it;
- c) the type, origin and designation of the mortar by reference to the relevant standard. d) preparation method;
- e) the type and description of the substrate including the coefficient of water absorption due to capillary action of masonry units (where relevant) comprising the substrate;
- f) any specialized treatment of the substrate in accordance with the manufacturer's instructions; g) the date and time of testing;
- h) flow value of test mortar determined in accordance with RS 211-3;
- i) details of test specimens including number, dimension, etc, if appropriate;
- j) individual values of adhesive strength rounded to the nearest 0.05 N/mm² and the mean value rounded to the nearest 0.1 N/mm² and description of mode of failure by reference to Figure 2 to Figure 4 inclusive; and
- k) remarks, if any.

Copy for public review

Price based on 8 pages

©RSB 2021- All rights reserved